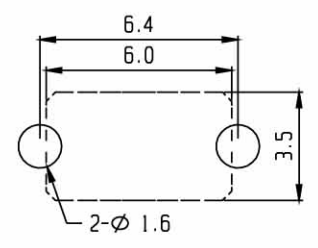
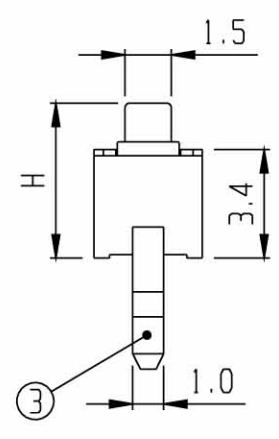
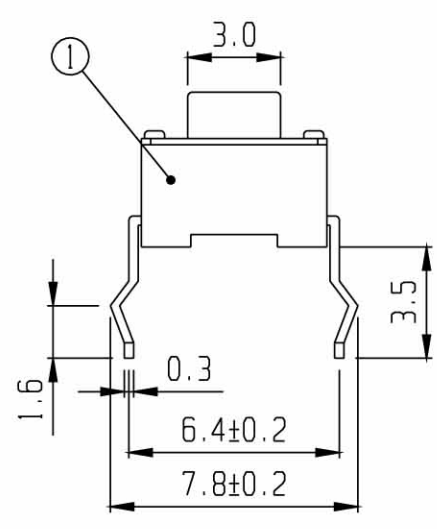
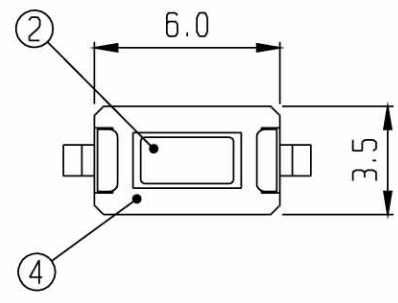


SCHEMATIC



PCB LAYOUT




RoHS Compliance

MODEL NO.	H
TC-00302-00	4.30
TC-00302A-00	5.00

5	CONTACT	S U S	1	Ag PLATED					
3	TERMINAL	BRASS	2	Ag PLATED	4	COVER BOARD	S U S	1	
1	FRAME	NYLON	1		2	KNOB	NYLON	1	
NO	PART	MATERIAL	QTY	REMARKS	NO	PART	MATERIAL	QTY	REMARKS

ISSUED	SPECIFICATION	TITLE: TACT SWITCH						
	RATING: DC 12V 50mA	MODEL NO: TC-00302-00						
	CONTACT RESISTANCE: 100mΩ Max.							
	INSULATION RESISTANCE: 100MΩ at 500V DC	TOLERANCE	UNIT: MM	DWN.				
	WITHSTAND VOLTAGE: AC 250V for 1 minute.	UP TO 1.0:±0.1	SCALE: 4:1	CHK'D.				
	OPERATION FORCE: REFER ATTACH SPECIFICATION	1.0 TO 10.0:±0.2	VERSION: 02	APPD.				
	SWITCHING LIFE: 30k Cycles Min.	OVER 10.0:±0.3	DRWG NO:					

BY: 
DATE: 07-MAR-2007

