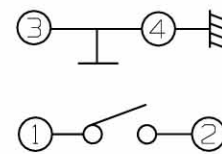
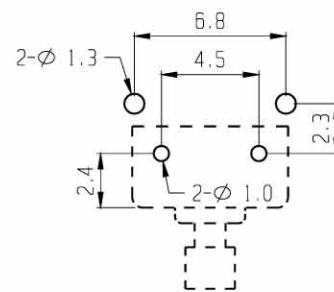


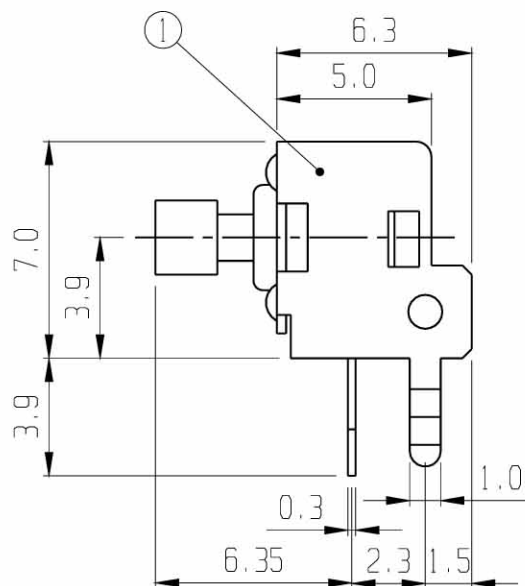
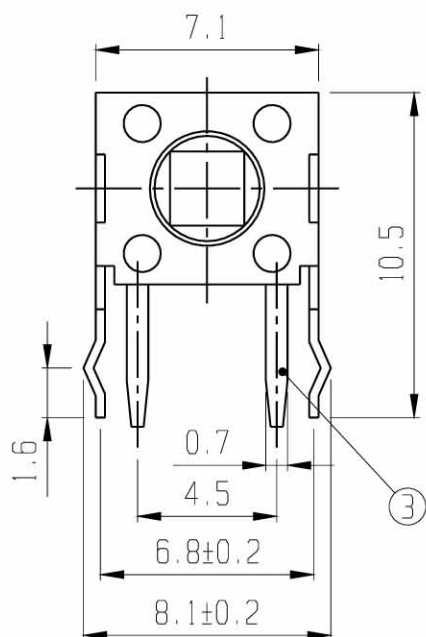
RoHS  
Compliance



SCHEMATIC



PCB LAYOUT



MODEL NO.	Knob(L)
TC-00101-00	2.4X2.4
TC-00101(A)-00	2.8X2.8

5	CONTACT	P B S	1	Ag PLATED					
3	TERMINAL	BRASS	2	Ag PLATED	4	FRAME	NYLON	1	
1	SHELF	SPCC	1	Sn PLATED	2	KNOB	NYLON	1	
NO	PART	MATERIAL	QTY	REMARKS	NO	PART	MATERIAL	QTY	REMARKS

ISSUED	SPECIFICATION	TITLE: TACT SWITCH						
	RATING: DC 12V 50mA	MODEL NO: TC-00101-00						
	CONTACT RESISTANCE: 100mΩ Max.	TOLERANCE		UNIT: MM		DWN.		<i>hoo</i>
	INSULATION RESISTANCE: 100MΩ at 500V DC	UP TO 1.0:±0.1		SCALE: 4:1		CHK'D.		<i>mu</i>
	WITHSTAND VOLTAGE: AC 250V for 1 minute.	1.0 TO 10.0:±0.2		VERSION: 02		APPD.		<i>[Signature]</i>
	OPERATION FORCE: REFER ATTACH SPECIFICATION	OVER 10.0:±0.3		DRWG NO:				
	SWITCHING LIFE: 100k Cycles Min.							

BY: *[Signature]*  
DATE: 10-AUG-2007

