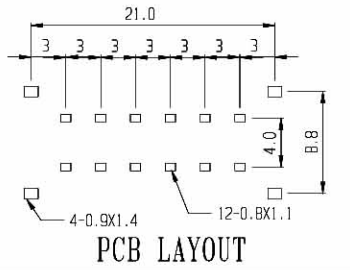
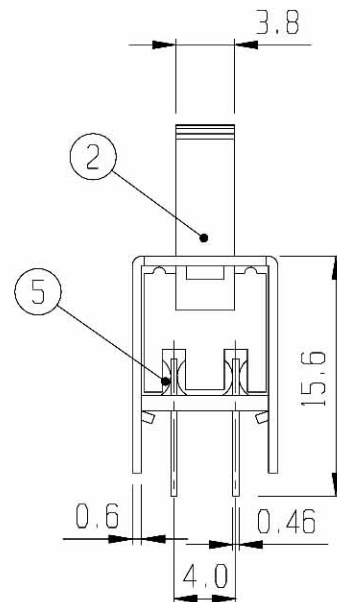
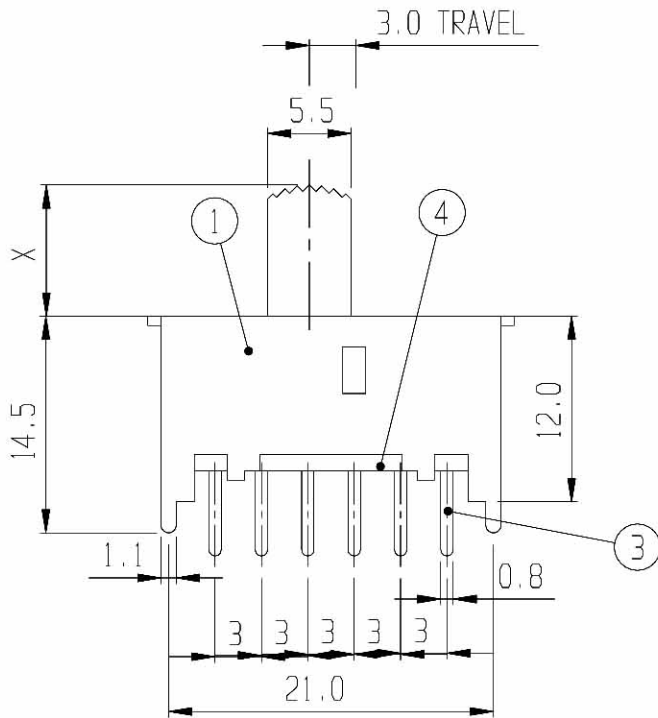


SCHEMATIC



PCB LAYOUT

RoHS Compliance



7	BALL	STEEL	2						
5	CONTACT	P B S	4	Ag PLATED	6	SPRING	STEEL WIRE	1	
3	TERMINAL	BRASS	12	Ag PLATED	4	TERMINAL BASE	PHENOL RESIN	1 NATURAL	
1	FRAME	S P C C	1	Ni PLATED	2	KNOB	P O M	1 G 3-15	
NO	PART	MATERIAL	QTY	REMARKS	NO	PART	MATERIAL	QTY	REMARKS

ISSUED	SPECIFICATION				TITLE: SLIDE SWITCH (4P2T)				
	RATING: DC 30V 0.3A				MODEL NO: SS-42F01				
	CONTACT RESISTANCE: 30mΩ max.								
	INSULATION RESISTANCE: 500MΩ at 500V DC				TOLERANCE	UNIT: MM		DWN.	<i>hoo</i>
	WITHSTAND VOLTAGE: AC 500V for 1 minute				UP TO 1.0:±0.1	SCALE: 2:1		CHK'D.	<i>hoo</i>
	OPERATION FORCE: REFER ATTACH SPECIFICATION				1.0 TO 10.0:±0.2	VERSION: 02		APPD.	<i>hoo</i>
	SWITCHING LIFE: 10K cycles min.				OVER 10.0:±0.3	DRWG NO:			

BY: *[Signature]*
DATE: 29-AUG-2003

