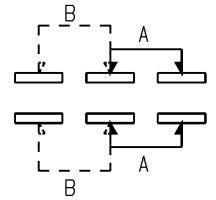
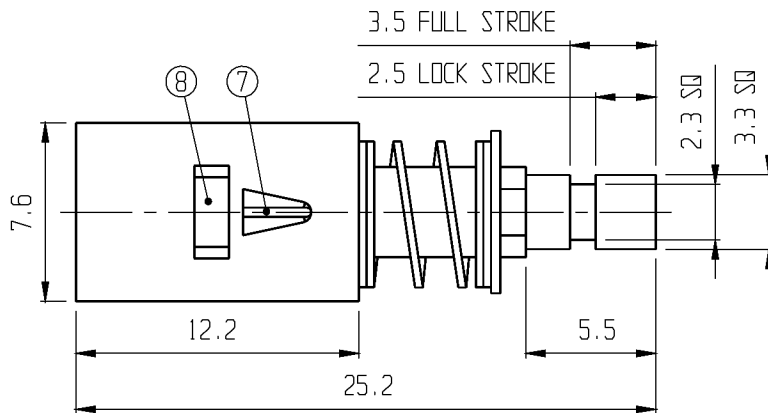
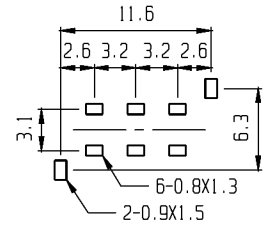


Non-shorting  
shorting

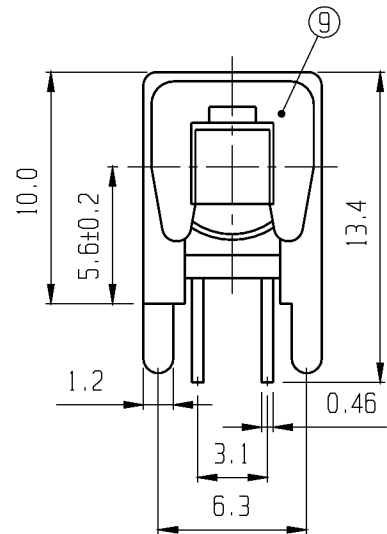
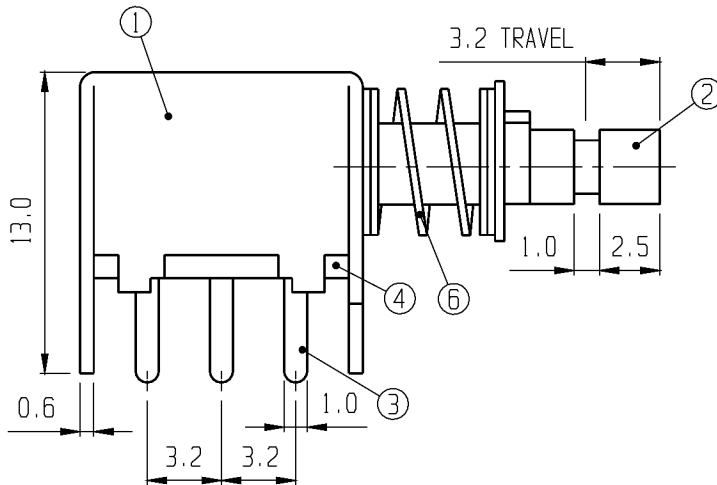


SCHEMATIC



PCB LAYOUT

**RoHS  
Compliance**



9	"U" PLATE	SPCC	1	Ni PLATED					
7	HOOK	BRASS	1		8	LOCK PLATE	P B S	1	
5	CONTACT	P B S	2	Ag PLATED	6	SPRING	STEEL WIRE	1	
3	TERMINAL	BRASS	6	Ag PLATED	4	TERMINAL BASE	PHENOL RESIN	1 NATURAL	
1	FRAME	SPCC	1	Ni PLATED	2	KNOB	P O M	1	
NO	PART	MATERIAL	QTY	REMARKS	NO	PART	MATERIAL	QTY	REMARKS

ISSUED

SPECIFICATION

TITLE: PUSH SLIDE SWITCH (2P2T)  
(LOCK)

RATING: DC 30V 0.3A

CONTACT RESISTANCE: 30mΩ max.

INSULATION RESISTANCE: 500MΩ at 500V DC

WITHSTAND VOLTAGE: AC 500V for 1 minute.

OPERATION FORCE: REFER ATTACH SPECIFICATION

SWITCHING LIFE: 10K cycles min.

MODEL NO: PS-22F02

TOLERANCE

UNIT: MM

DWN.

UP TO 1.0:±0.1

SCALE: 3:1

CHK'D.

1.0 TO 10.0:±0.2

VERSION: 02

APPD.

OVER 10.0:±0.3

DRWG NO:

BY:

DATE: 18-DEC-2007

**VIMEX**  
INTERNATIONAL CORPORATION

