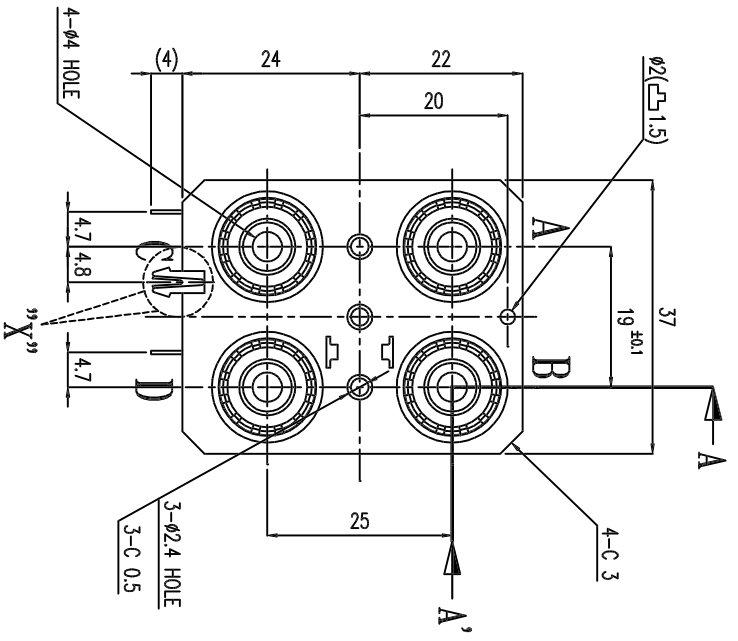
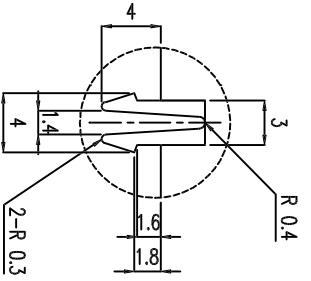
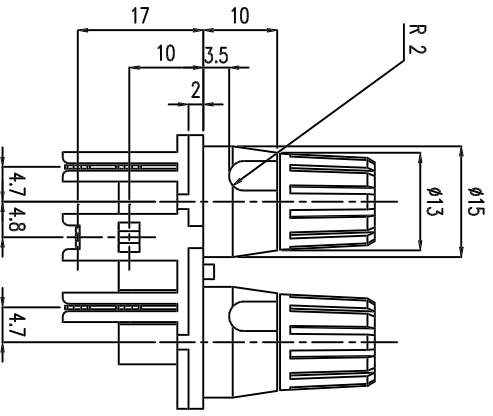
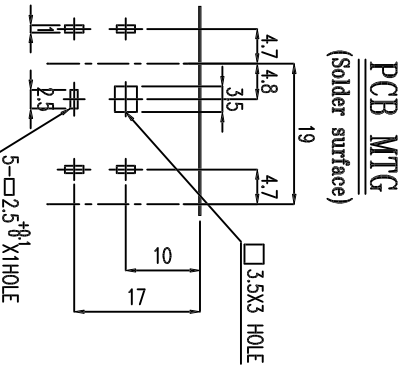
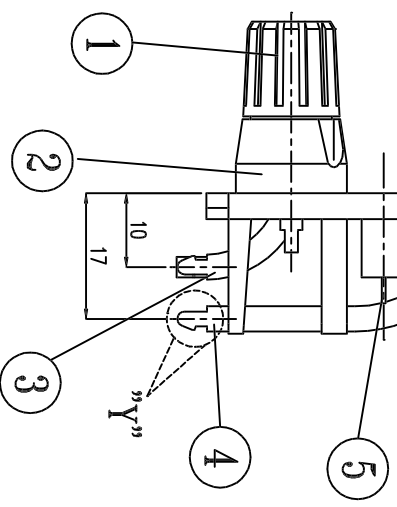
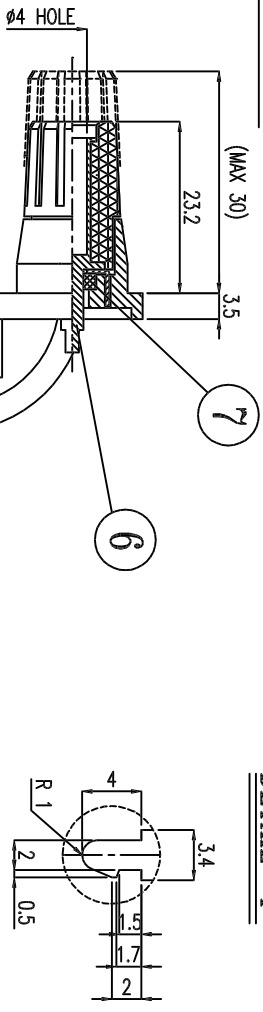


ALLOWANCE	MARK	DATE	DESCRIPTION OF REVISION	APPROVED
UNDER 3 ±0.1	▽	..		
3 TO 6 ±0.2	▽	..		
6 TO 18 ±0.3	▽	..		
18 TO 50 ±0.4	▽	..		
50 OVER ±0.5	▽	..		

**SECTION A-A'**



**DETAIL "Y"**



NO	PART NAME	MATERIAL	QUANTITY	PART NO	REMARKS
1	KNOB	ABS	4	2MT737	A: B C: B D: R
2	BASE	ABS	1	2MT739	BLACK
3	TERMINAL-S	C2680 1/2H	2	2P203	SN -PLATTING
4	TERMINAL-L	C2680 1/2H	2	2P202	SN -PLATTING
5	PART TER'	C2680 1/2H	1	2P201	SN -PLATTING
6	POST	C2600	4	1P0843	SN -PLATTING
7	NUT	SPCC	4	1NU845	ZN -PLATTING

REVISION	DRAWING	CHECKED	APPROVED	NAME TITLE	SCALE	DIMENSION
1.3				SPEAKER TER' BOARD(4P)	2/1	mm/mm

REVISION	DRAWING	CHECKED	APPROVED	DRAWING NUMBER	SH0410370P
1.3					

