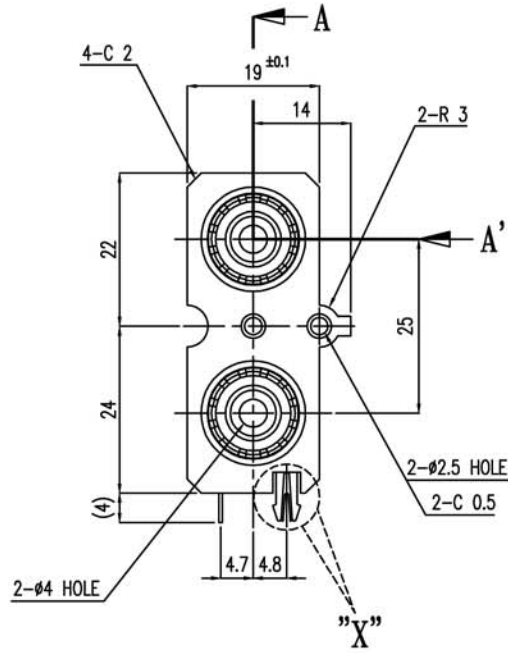
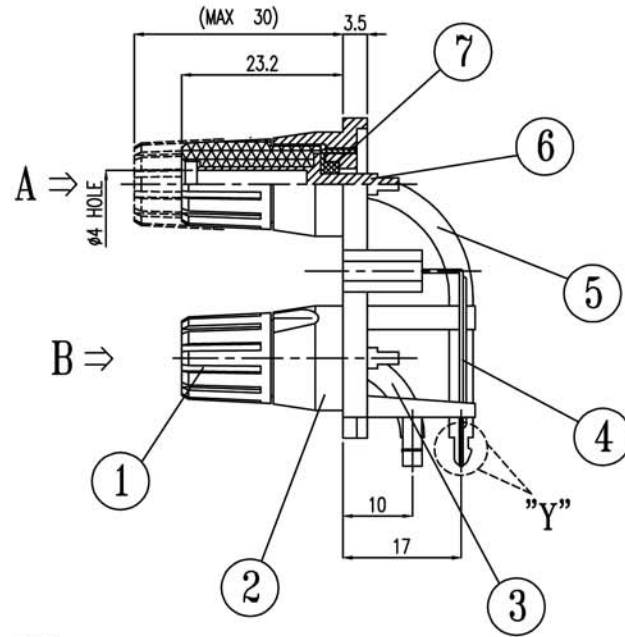


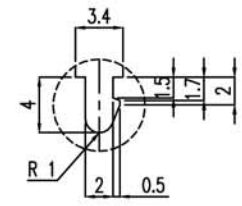
ALLOWANCE	MARK	DATE	DESCRIPTION OF REVISION	APPROVED
UNDER 3	± 0.1	△	..	
3 TO 6	± 0.2	△	..	
6 TO 18	± 0.3	△	..	
18 TO 50	± 0.4	△	..	
50 OVER	± 0.5	△	..	



SECTION A-A'

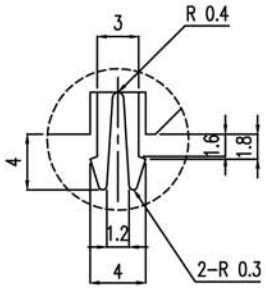
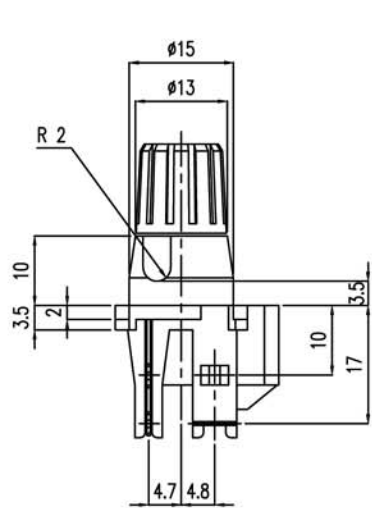
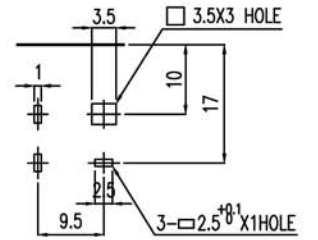


DETAIL "Y"



PCB MTG

(Solder surface)



DETAIL "X"

7	NUT	SPCC	2	1NU845	ZN -PLATING
6	POST	C2600	2	1P0843	AU -PLATING
5	TERMINAL-L	C2680 1/2H 0.5t	1	2P202	SN -PLATING
4	EARTH TER'	C2680 1/2H 0.5t	1	2P201	SN -PLATING
3	TERMINAL-S	C2680 1/2H 0.5t	1	2P203	SN -PLATING
2	BASE	ABS 94HB	1	2M764	BLACK
1	KNOB	ABS 94HB	2	2M737	A; R B; B
NO	PART NAME	MATERIAL	QUANTITY	PART NO	REMARKS

VIMEX INTERNATIONAL CORPORATION				SCALE 2/1 DIMENSION m/m	
REVISION	DRAWING	CHECKED	APPROVED	NAME TITLE	SPEAKER TER' BOARD(2P)
1.3	1995.12.26	1995.12.26	1995.12.26	DRAWING NUMBER	SH0210381G

Control 4 part number 321-00074