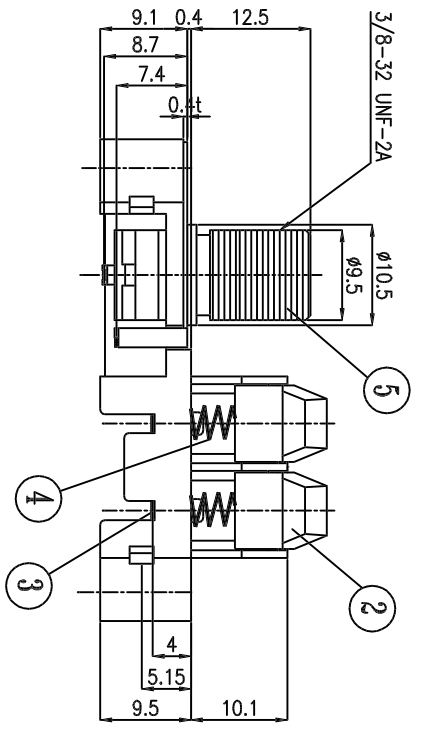
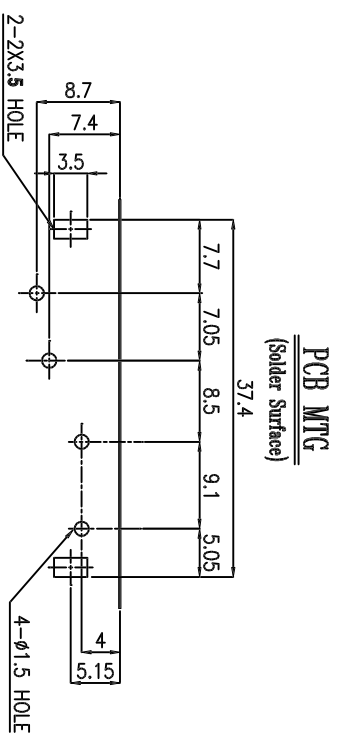
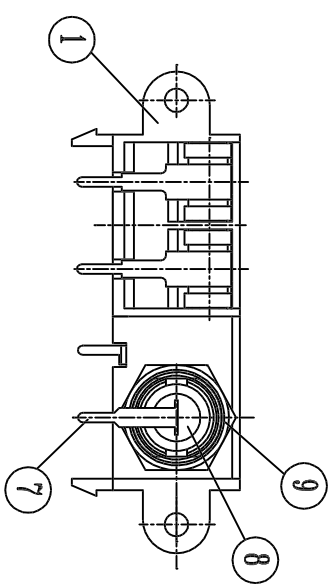
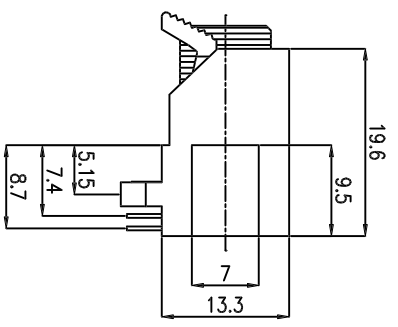
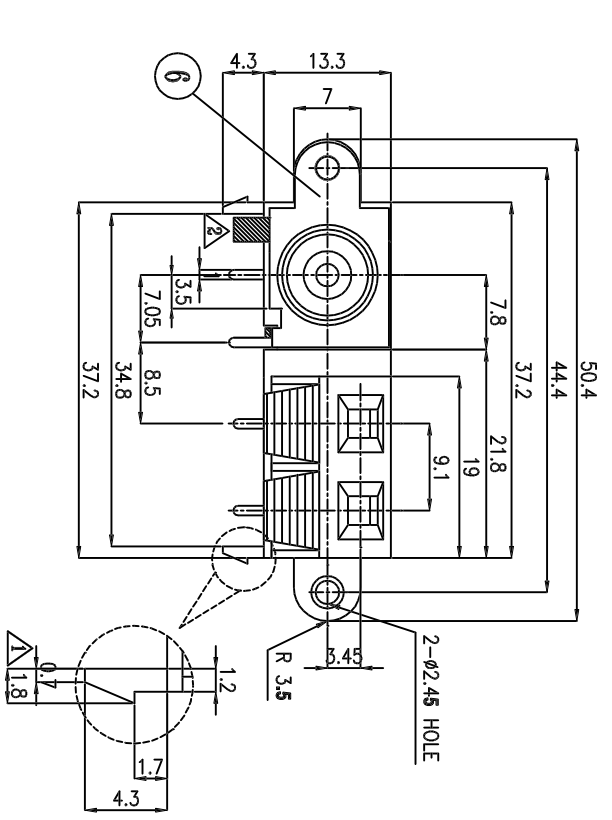


ALLOWANCE	MARK	DATE	DESCRIPTION OF REVISION	APPROVED
UNDER 3 ± 0.1	△	02. 6. 12	1.6 → 1.8 CHANGE	
3 TO 6 ± 0.2	△	02. 6. 12	CAP GROUND 표시부위 삭제	
6 TO 18 ± 0.3	△	02. 7. 29	ABS 94HB HF-390 → ABS 94HB XR-401 CHANGE	
18 TO 50 ± 0.4	△			
50 OVER ± 0.5	△			



9	NUT	C3604 BD	(0)	1	1N0848	ZN - PLATING
8	BUSHING	ABS	94HB	1	2M879	
7	CONNECTOR	C2680 1/2H	0.3t	1	2P4371	AG - PLATING
6	GROUND	C2680 1/2H	0.4t	1	2P473	SN - PLATING
5	COVER	C3604 BD	(0)	1	1C08121	NI - PLATING
4	SPRING	SWRH	90.55	2	ISP804N	ROSTPROOF-TREATMENT
3	TERMINAL	C2680 1/2H	0.4t	2	2P466	SN - PLATING
2	KNOB	ABS	94HB	2	2M741	A: B B: B
1	BASE	ABS	94HB	1	2M915	BLACK
NO	PART NAME	MATERIAL	QUANTITY	PART NO	REMARKS	
REVISION	DRAWING	CHECKED	APPROVED	NAME TITLE	SCALE	DIMENSION mm/mm
1.1	2006.07.18	2006.07.18	2006.07.18	ANTENNA TER' BOARD(2P)	1/1	
				DRAWING NUMBER	SC0210810N	