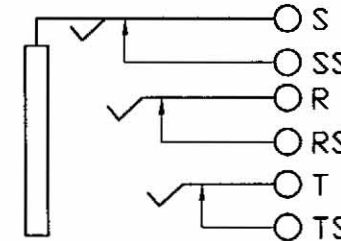
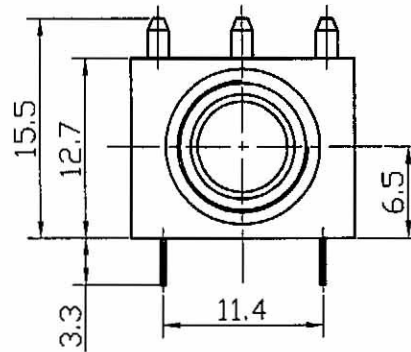
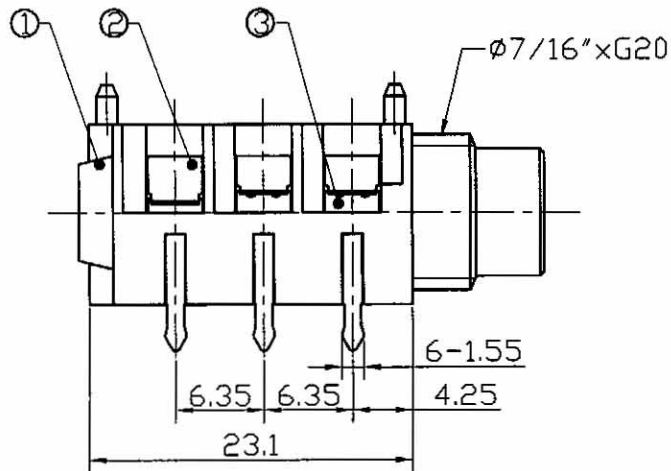
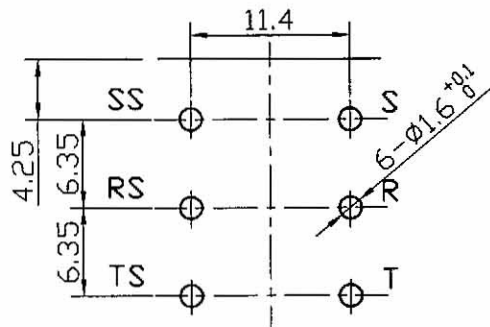


PLUG



CIRCUIT DIAGRAM



PCB MOUNTING HOLES  
(VIEWED FROM COPPER SIDE)

Dimensions unless otherwise specified

Size Range	Tolerance
$L \leq 1$	$\pm 0.15$
$1 < L \leq 8$	$\pm 0.20$
$8 < L \leq 23$	$\pm 0.25$
$23 < L \leq 50$	$\pm 0.30$
ANGAL	$\pm 1^\circ$

NO.	PART NAME	Q'TY	MATERIAL (THICK, COLOR)	REMARK
3	FLAT PIECE	3	H62 Y t=0.4	Ag-PLATED
2	SPRING	3	QSn6.5-0.1 Y t=0.4	RoHS COMPLIANT
1	HOUSING	1	PA66 G15	RoHS COMPLIANT

SCALE:	1.5:1	NAME:	PHONE JACK
VIEW:		CAT.NO.:	SCJ-1638
UNIT:	mm		

