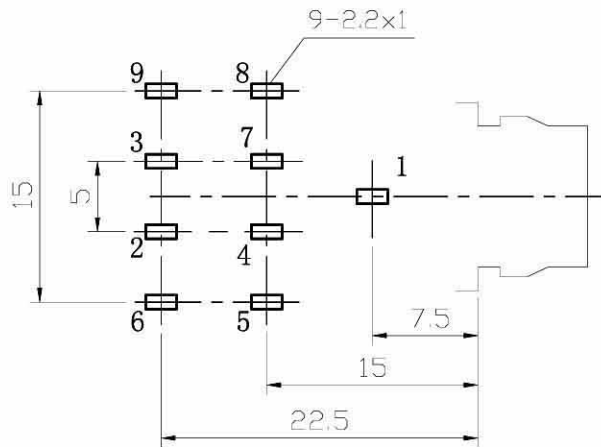


CIRCUIT DIAGRAM



PCB MOUNTING HOLES (TOLERANCE: ± 0.1)  
(BOTTOM VIEW)

12	SEPARATOR	2	POM (black)	RoHS COMPLIANT
11	9# TERMINAL	1	QSn6.5-0.1Y t=0.25	Ag-PLATED RoHS COMPLIANT
10	8# TERMINAL	1	QSn6.5-0.1Y t=0.35	
9	7# TERMINAL	1	H62Y t=0.4	
8	6# TERMINAL	1	QSn6.5-0.1Y t=0.25	
7	5# TERMINAL	1	QSn6.5-0.1Y t=0.35	
6	4# TERMINAL	1	H62Y t=0.4	
5	3# TERMINAL	1	QSn6.5-0.1Y t=0.3	RoHS COMPLIANT
4	2# TERMINAL	1	QSn6.5-0.1Y t=0.3	
3	1# TERMINAL	1	QSn6.5-0.1Y t=0.3	
2	COVER	1	PC (black)	RoHS COMPLIANT
1	HOUSING	1	ABS (black)	RoHS COMPLIANT
NO.	NAME	QTY	MATERIAL (THICK, COLOR)	REMARK

Dimensions unless otherwise specified	
Size Range	Tolerance
$L \leq 1$	±0.15
$1 < L \leq 8$	±0.20
$8 < L \leq 23$	±0.25
$23 < L \leq 50$	±0.30
ANGAL	±1°



SCALE: 1:1  
VIEW: UNIT: mm

NAME: PHONE JACK  
CAT. NO.: SCJ-0648-1