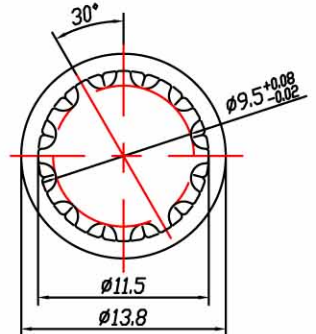
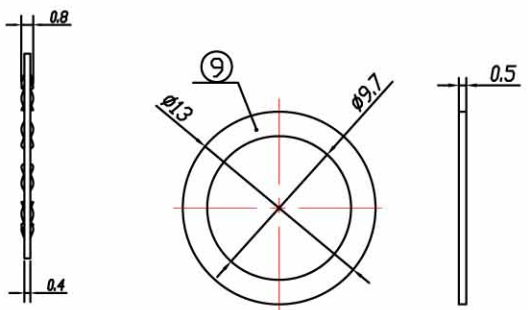


CIRCUIT DIAGRAM

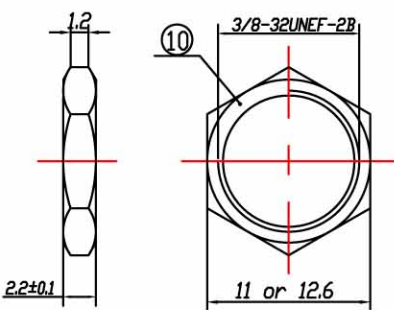


WASHER



FLAT WASHER

PCB MOUNTING HOLES
(VIEWED FROM COPPER SIDE)



HEX NUT

10	HEX NUT	1	H59 (COPPER ALLOY)	NI-PLATED(Cu ₂ -3um, Ni ₂ -3um) RoHS COMPLIANT
9	FLAT WASHER	1	H62Y DR STEEL t=0.5	
8	WASHER	1	H62Y(DR STEEL) t=0.4 (C2680R-H)	RoHS COMPLIANT
7	SLEEVE	1	H59 (COPPER ALLOY)	
6	BODY	1	PBT+10%GF 94V-0	RoHS COMPLIANT
5	5# TERMINAL	1	H62Y t=0.4 (C2680R-H)	Ag-PLATED(Cu ₂ -3um, Ag _{0.3um}) RoHS COMPLIANT
4	4# TERMINAL	1	H62Y t=0.4 (C2680R-H)	
3	3# TERMINAL	1	QSn6.5-0.1Y t=0.35 (C5210R-H)	
2	2# TERMINAL	1	QSn6.5-0.1Y t=0.4 (C5210R-H)	
1	1# TERMINAL	1	H62Y t=0.4 (C2680R-H)	
NO.	NAME	QTY	MATERIAL(THICK,COLOR)	REMARK

ANGLES<DEG>	± 5°
L < 6	± 0.1
6 ≤ L ≤ 20	± 0.2
L > 20	± 0.3

TOLERANCES EXCEPT AS NOTED



SCALE: 1:1
VIEW: UNIT: mm

NAME: PHONE JACK
CAT.NO: SCJ-0629HA