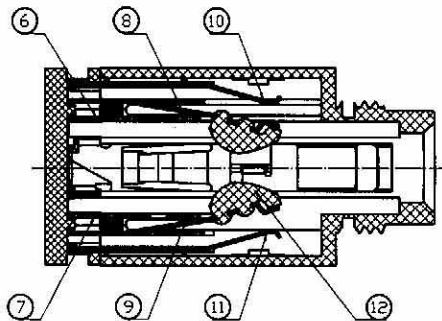
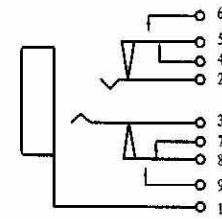
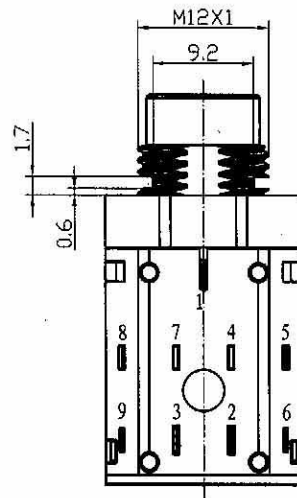


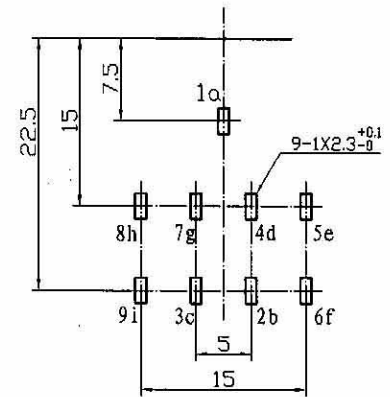
SECTION A-A



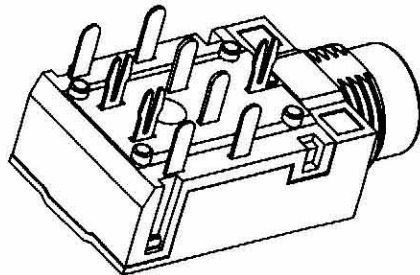
SECTION B-B



CIRCUIT DIAGRAM



PCB MOUNTING HOLES (TOLERANCE:  $\pm 0.1$ )  
(BOTTOM VIEW)



NO.	NAME	QTY	MATERIAL (THICK, COLOR)	REMARK
13				
12	SEPARATOR	2	POM (black)	RoHS COMPLIANT
11	MAKE TERMINAL (9)	1	QSn6.5-0.1 t=0.25 (C5210R-H)	Ag-PLATED, RoHS COMPLIANT
10	MAKE TERMINAL (6)	1	QSn6.5-0.1 t=0.25 (C5210R-H)	
9	TRANSFER TERMINAL (8)	1	QSn6.5-0.1 t=0.3 (C5210R-H)	
8	TRANSFER TERMINAL (5)	1	QSn6.5-0.1 t=0.3 (C5210R-H)	
7	BREAK TERMINAL (7)	1	H62Y t=0.4 (C2680R-H)	
6	BREAK TERMINAL (4)	1	H62Y t=0.4 (C2680R-H)	
5	RING TERMINAL (3)	1	QSn6.5-0.1 t=0.3 (C5210R-H)	
4	TIP TERMINAL (2)	1	QSn6.5-0.1 t=0.3 (C5210R-H)	RoHS COMPLIANT
3	EARTH TERMINAL (1)	1	QSn6.5-0.1 t=0.25 (C5210R-H)	
2	COVER	1	PC (black)	RoHS COMPLIANT
1	HOUSING	1	PBT (black)	

Dimensions unless otherwise specified

Size Range	Tolerance
$L \leq 1$	$\pm 0.15$
$1 < L \leq 8$	$\pm 0.20$
$8 < L \leq 23$	$\pm 0.25$
$23 < L \leq 50$	$\pm 0.30$
ANGAL	$\pm 1^\circ$



SCALE: 1:1  
VIEW: UNIT: mm

NAME: PHONE JACK  
CAT. NO. SCJ-0602