

F

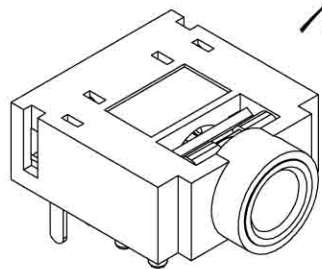
E

D

C

B

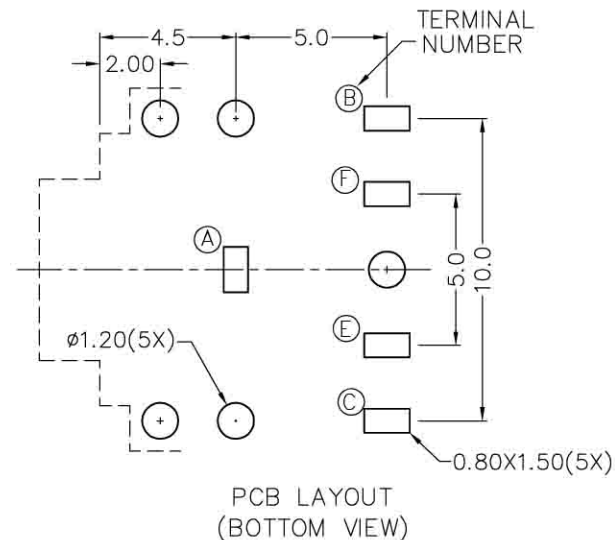
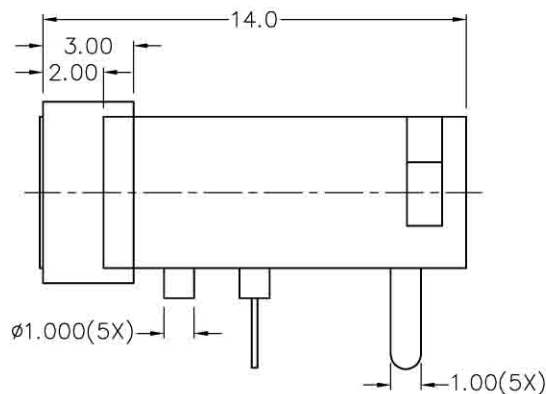
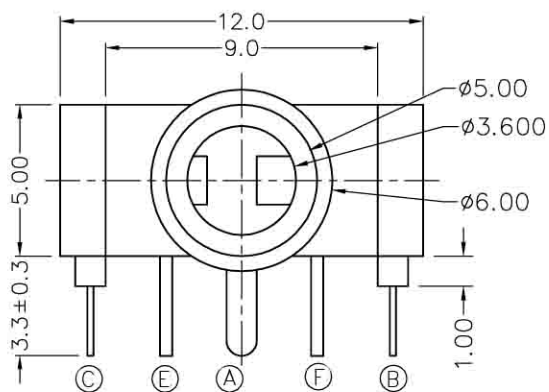
A



VIMEX
INTERNATIONAL CORPORATION

RoHS
Compliant

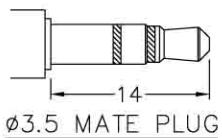
ZONE	SYMBOL	REVISION	APPROVAL	DATE
		ADD MATE PLUG	J.X.KUANG	6-10-2006



Schematic Code					
U	V	W	X	Y	Z

*MATERIAL

TERMINAL A : COPPER ALLOY
 TERMINAL B : COPPER ALLOY
 TERMINAL C : COPPER ALLOY
 TERMINAL F : BRASS
 TERMINAL E : BRASS
 BUSHING : BRASS
 HOUSING : PBT



				DESIGN	L.L.ZHANG	DATE	21-7-2005	SCALE	4:1
				DRAWING	L.L.ZHANG	DATE	6-10-2006	MATERIAL	*
PART NAME	3.5mm STEREO JACK	TOLERANCE UNLESS	0.0±0.2	CHECK		DATE		DWG. NO.	TZ\SH359-PBT/C
PART NO.	SCJ-0355-1-B	OTHERWISE SPECIFIED:	0.00±0.1 0.000±0.05	APPROVAL		DATE		SHEET	

F

E

D

C

B

A

DCF-04/A