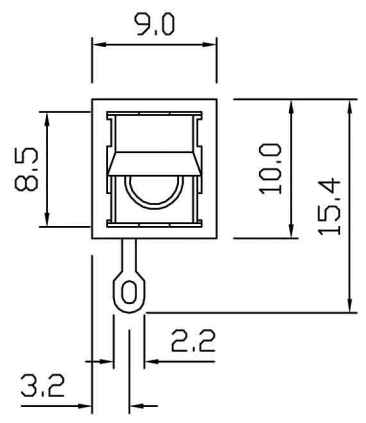
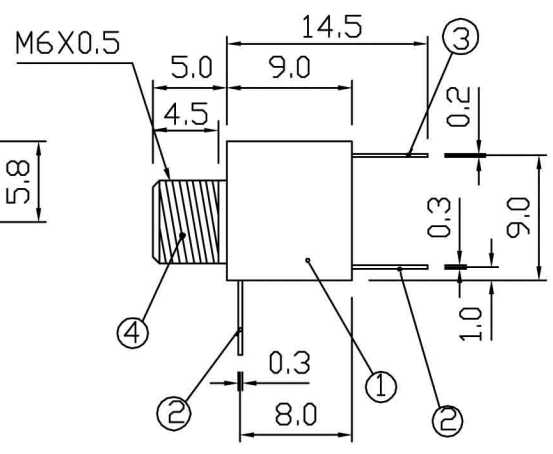
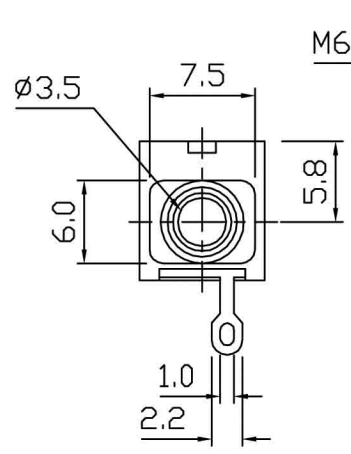
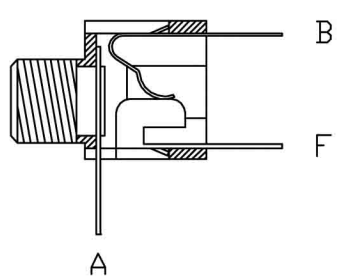
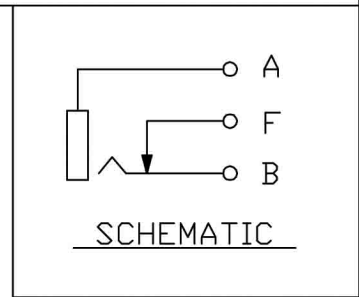


RoHS
Compliance



4	SHEATH	COPPER ALLOY	1	NI PLATED
3	MOVEABLE TERMINAL	P B S	1	Ag PLATED
2	TERMINAL	BRASS	2	Ag PLATED
1	FRAME	A B S	1	
NO	PART	MATERIAL	QTY	REMARKS

ISSUED	SPECIFICATION	TITLE: MONO TYPE EARPHONE JACK		
	RATING: DC 30V 0.3A	MODEL NO: SCJ-0351		
	CONTACT RESISTANCE: 50mΩ MAX	UNIT: MM	DWN	白竟成
	INSULATION RESISTANCE: 100MΩ AT 500V DC	SCALE: 2:1	CHK'D	汪志勇
	WITHSTAND VOLTAGE: AC 500V for 1 minute	TOLERANCE: ±0.2	APPD.	万运和
	OPERATION FORCE: REFER ATTACH SPECIFICATION			
	SWITCHING LIFE: 5k cycles min			

BY: 万运和
DATE: 27-OCT-2006



DRWG NO:
VERSION: 2.0