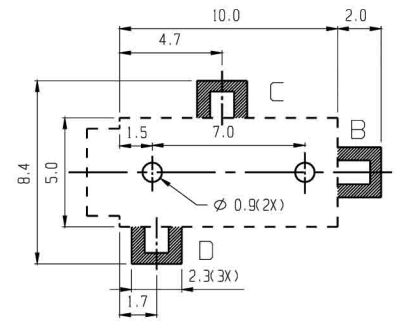
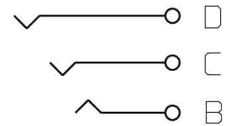
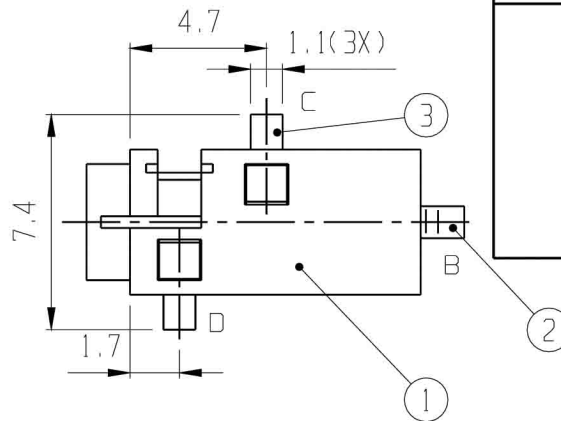


MATING PLUG

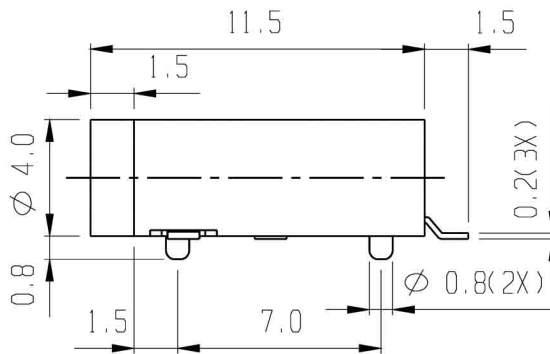
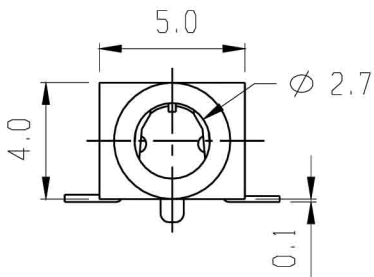


P.C.B. LAYOUT



SCHEMATIC

RoHS
Compliance



3	SPRING PLATE	CuBe	2	Ag PLATED					
1	FRAME	NYLON 46	1		2	SPRING PLATE	P B S	1	Ag PLATED
NO.	PART	MATERIAL	QTY	REMARKS	NO.	PART	MATERIAL	QTY	REMARKS

ISSUED

SPECIFICATION

TITLE: 2.6mm SMD STEREO JACK

RATING:	DC 30V 0.3A
CONTACT RESISTANCE:	50mΩ max.
INSULATION RESISTANCE:	100MΩ AT 500V DC
WITHSTAND VOLTAGE:	AC 500V for 1 minute
OPERATION FORCE:	REFER ATTACH SPECIFICATION
SWITCHING LIFE:	5,000 cycles min.

MODEL NO: SCJ-2684-SMT-C

TOLERANCE	UNIT: MM	DWN.	<i>hro</i>
UP TO 1.0:±0.1	SCALE: 4:1	CHK'D.	<i>hro</i>
1.0 TO 10.0:±0.2	VERSION: 04	APPD.	<i>hro</i>
OVER 10.0:±0.3	DRWG NO:		

BY: *hro*

DATE: 23-AUG-2006

