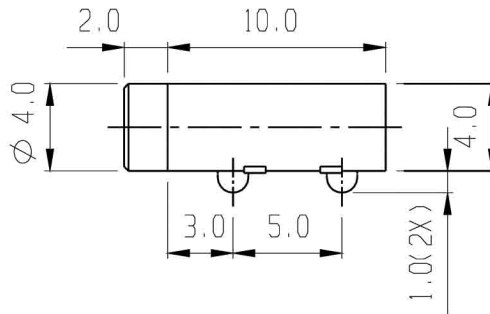
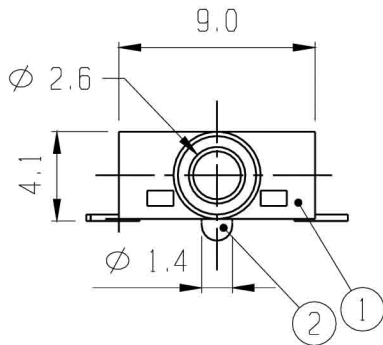


RoHS Compliance



5	TERMINAL	P B S	1	Ag PLATED					
3	TERMINAL	BRASS	2	Ag PLATED	4	CONTACT	P B S	2	Au PLATED
1	FRAME	NYLON 46	1		2	COVER BOARD	NYLON	1	
NO.	PART	MATERIAL	QTY	REMARKS	NO.	PART	MATERIAL	QTY	REMARKS

ISSUED	SPECIFICATION				TITLE: 2.5mm SMD STEREO JACK					
	RATING: DC 30V 0.3A				MODEL NO: SCJ-2595-SMT-A					
	CONTACT RESISTANCE: 50mΩ max.									
	INSULATION RESISTANCE: 100MΩ AT 500V DC				TOLERANCE	UNIT: MM	DWN.	<i>hso</i>		
	WITHSTAND VOLTAGE: AC 500V for 1 minute				UP TO 1.0:±0.1	SCALE: 3:1	CHK'D.	<i>hso</i>		
	OPERATION FORCE: REFER ATTACH SPECIFICATION				1.0 TO 10.0:±0.2	VERSION: 01	APPD.	<i>[Signature]</i>		
	SWITCHING LIFE: 5,000 cycles min.				OVER 10.0:±0.3	DRWG NO:				

BY: *[Signature]*
DATE: 20-APR-2005

