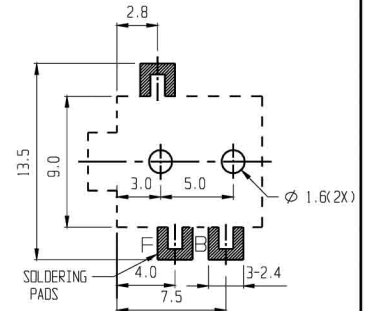
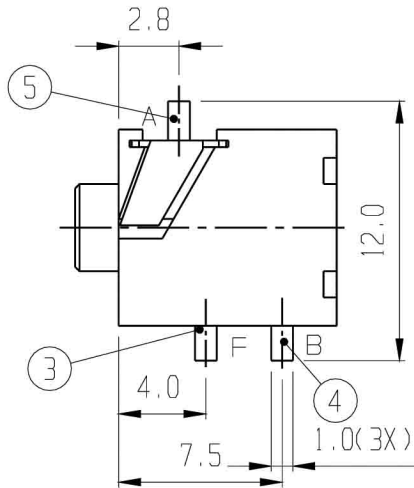
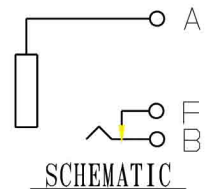


MATING PLUG

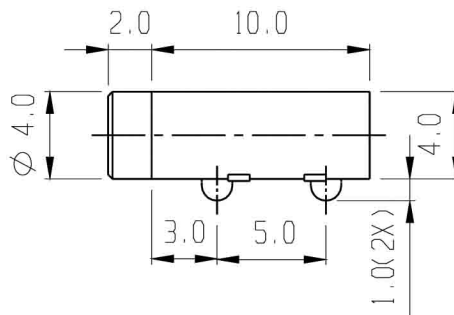
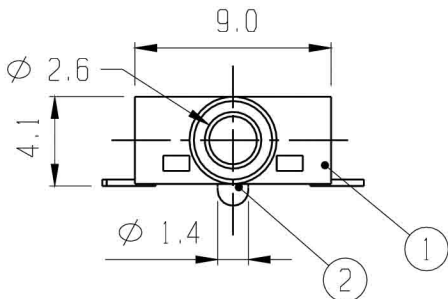


P.C.B. LAYOUT



SCHEMATIC

RoHS
Compliance



5	TERMINAL	P B S	1	Au PLATED					
3	TERMINAL	BRASS	1	Au PLATED	4	CONTACT	BRASS	1 Au PLATED	
1	FRAME	NYLON 46	1		2	COVER BOARD	NYLON	1	
NO.	PART	MATERIAL	QTY	REMARKS	NO.	PART	MATERIAL	QTY	REMARKS

ISSUED

SPECIFICATION

TITLE: 2.5mm SMD STEREO JACK

RATING: DC 30V 0.3A
 CONTACT RESISTANCE: 50mΩ max.
 INSULATION RESISTANCE: 100MΩ AT 500V DC
 WITHSTAND VOLTAGE: AC 500V for 1 minute
 OPERATION FORCE: REFER ATTACH SPECIFICATION
 SWITCHING LIFE: 5,000 cycles min.

MODEL NO: SCJ-2593-SMT-B

TOLERANCE	UNIT: MM	DWN.	<i>hwo</i>
UP TO 1.0:±0.1	SCALE: 3:1	CHK'D.	<i>ms</i>
1.0 TO 10.0:±0.2	VERSION: 01	APPD.	<i>[Signature]</i>
OVER 10.0:±0.3	DRWG NO:		

BY: *[Signature]*

DATE: 20-APR-2005

