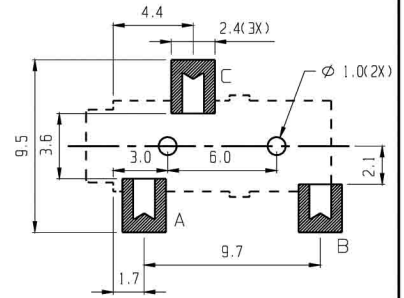
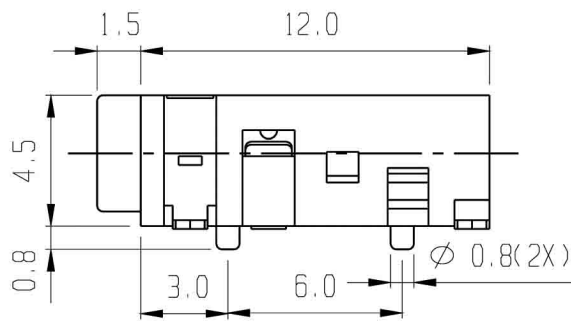
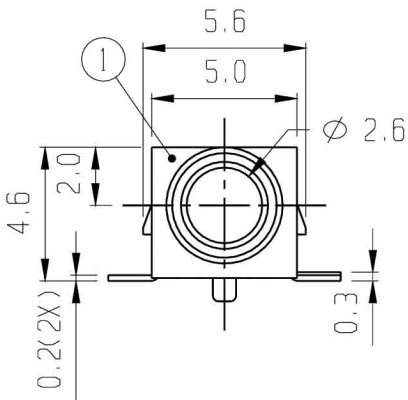
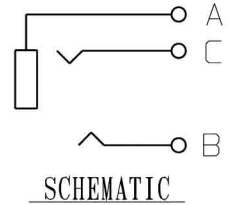
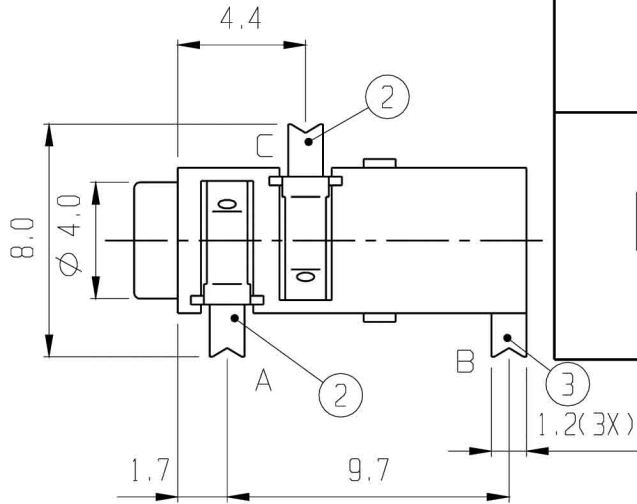


MATING PLUG



P.C.B. LAYOUT



RoHS Compliance

3	TERMINAL	P B S	1	Ag-PLATING					
1	FRAME	NYLON	1		2	TERMINAL	P B S	2	Ag-PLATING
NO.	PART	MATERIAL	QTY	REMARKS	NO.	PART	MATERIAL	QTY	REMARKS

ISSUED	SPECIFICATION				TITLE: 2.5mm SMD STEREO JACK					
	RATING: DC 30V 0.3A				MODEL NO: SCJ-2573-SMT-A					
	CONTACT RESISTANCE: 50mΩ max.									
	INSULATION RESISTANCE: 100MΩ AT 500V DC				TOLERANCE	UNIT: MM	DWN.	<i>hoo</i>		
	WITHSTAND VOLTAGE: AC 500V for 1 minute				UP TO 1.0:±0.1	SCALE: 4:1	CHK'D.	<i>sm</i>		
	OPERATION FORCE: REFER ATTACH SPECIFICATION				1.0 TO 10.0:±0.2	VERSION: 02	APPD.	<i>[Signature]</i>		
	SWITCHING LIFE: 5,000 cycles min.				OVER 10.0:±0.3	DRWG NO:				

BY: *[Signature]*
DATE: 20-FEB-2003

