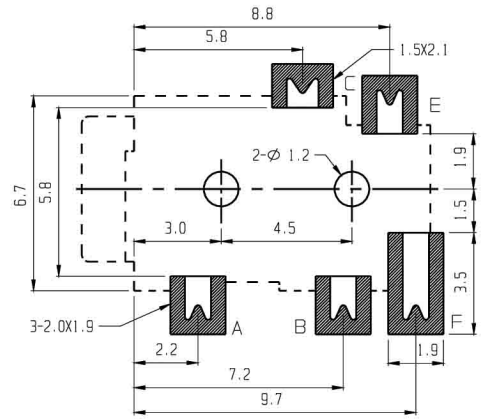
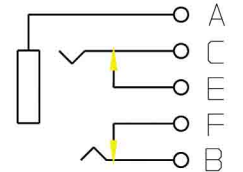
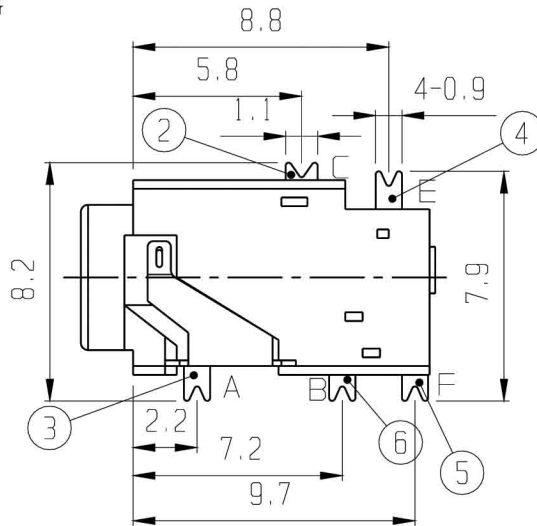


MATING PLUG

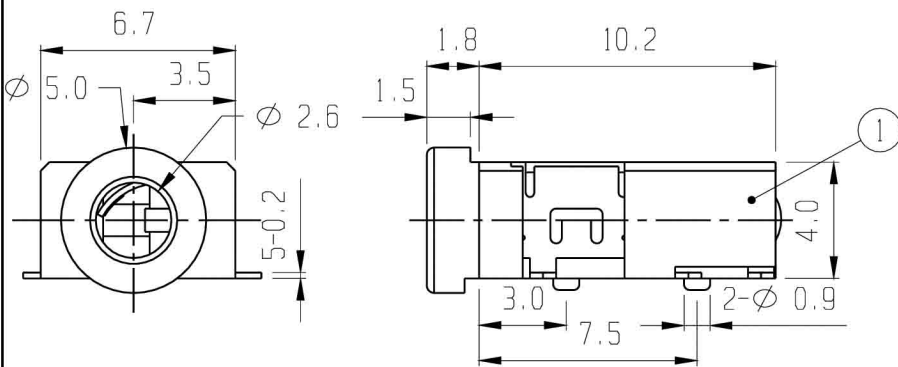


P.C.B. LAYOUT



SCHEMATIC

RoHS Compliance



5	TERMINAL	P B S	1	Au PLATED	6	TERMINAL	P B S	1	Au PLATED
3	TERMINAL	P B S	1	Au PLATED	4	TERMINAL	BRASS	1	Au PLATED
1	FRAME	NYLON 46	1		2	TERMINAL	P B S	1	Au PLATED
NO.	PART	MATERIAL	QTY	REMARKS	NO.	PART	MATERIAL	QTY	REMARKS

ISSUED

SPECIFICATION

TITLE: 2.5mm SMD STEREO JACK

RATING: DC 30V 0.3A

MODEL NO: SCJ-2555-SMT-A

CONTACT RESISTANCE: 50mΩ max.

INSULATION RESISTANCE: 100MΩ AT 500V DC

TOLERANCE

UNIT: MM

DWN.

WITHSTAND VOLTAGE: AC 500V for 1 minute

UP TO 1.0:±0.1

SCALE: 4:1

CHK'D.

OPERATION FORCE: REFER ATTACH SPECIFICATION

1.0 TO 10.0:±0.2

VERSION: 01

SWITCHING LIFE: 5,000 cycles min.

OVER 10.0:±0.3

DRWG NO:

APPD.

BY:

DATE: 20-OCT-2005

