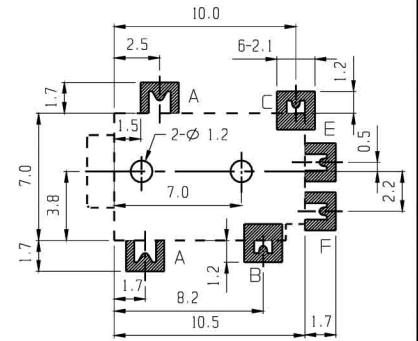
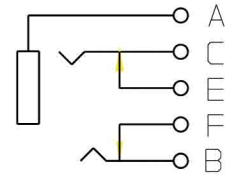
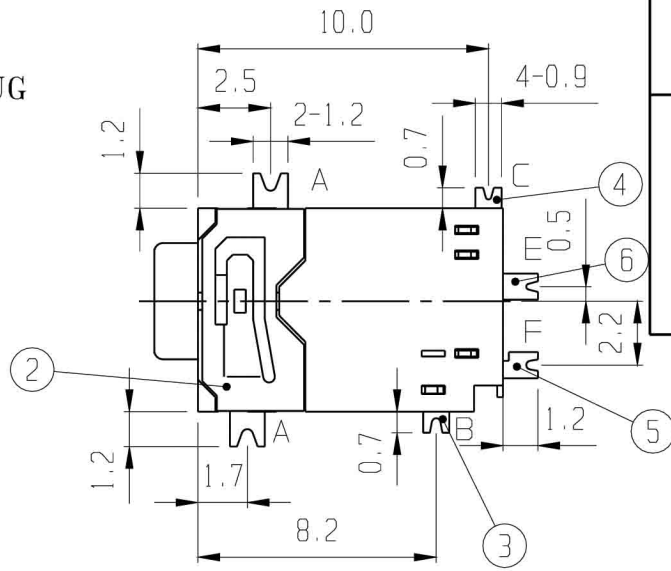


MATING PLUG

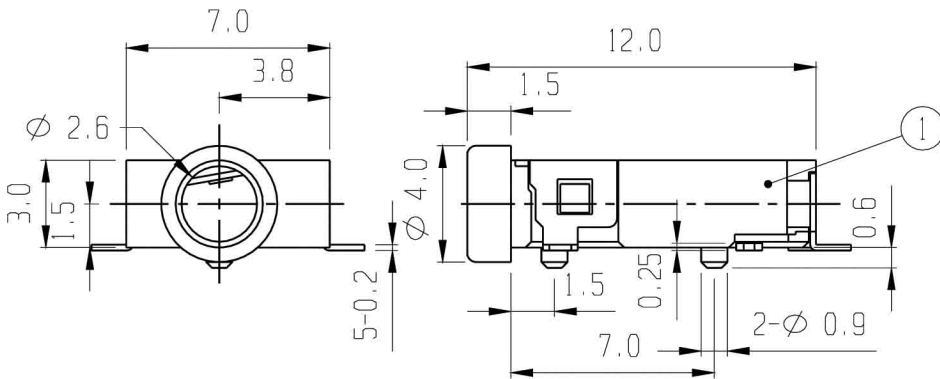


P.C.B. LAYOUT



SCHEMATIC

RoHS Compliance



NO.	PART	MATERIAL	QTY	REMARKS	NO.	PART	MATERIAL	QTY	REMARKS
5	TERMINAL	P B S	1	Ag PLATED	6	TERMINAL	P B S	1	Ag PLATED
3	SPRING PLATE	P B S	1	Ag PLATED	4	SPRING PLATE	P B S	1	Ag PLATED
1	FRAME	NYLON	1		2	SPRING PLATE	BRASS	1	Ag PLATED

ISSUED	SPECIFICATION	TITLE: 2.5mm SMD STEREO JACK		
	RATING: DC 30V 0.3A	MODEL NO: SCJ-2545-SMT-A		
	CONTACT RESISTANCE: 50mΩ max.			
	INSULATION RESISTANCE: 100MΩ AT 500V DC	TOLERANCE	UNIT: MM	DWN. <i>hro</i>
	WITHSTAND VOLTAGE: AC 500V for 1 minute	UP TO 1.0:±0.1	SCALE: 4:1	CHK'D. <i>hro</i>
	OPERATION FORCE: REFER ATTACH SPECIFICATION	1.0 TO 10.0:±0.2	VERSION: 02	APPD. <i>hro</i>
	SWITCHING LIFE: 5,000 cycles min.	OVER 10.0:±0.3	DRWG NO: 003	

BY: *[Signature]*
DATE: 23-AUG-2006

