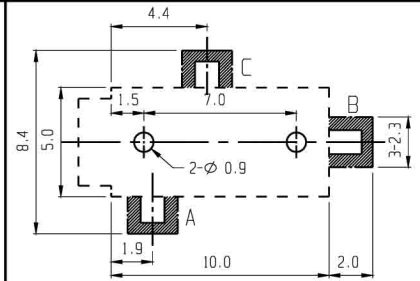
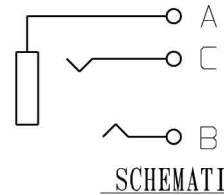


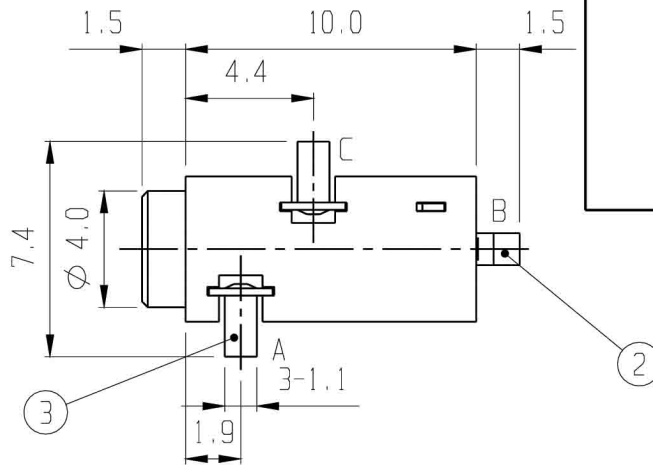
MATING PLUG



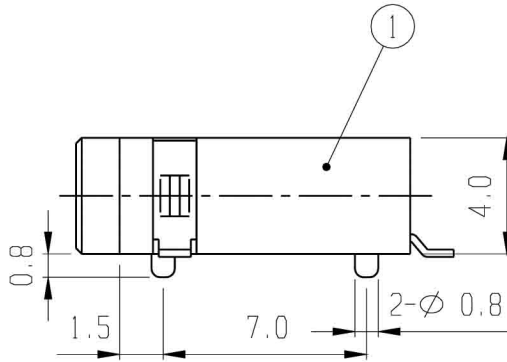
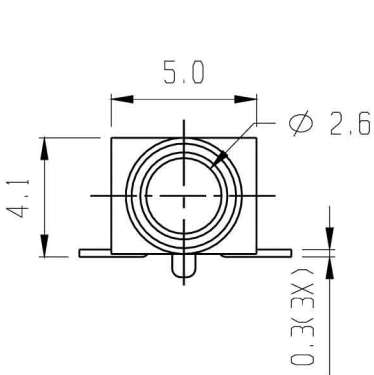
P.C.B. LAYOUT



SCHEMATIC



RoHS Compliance



3	TERMINAL	P B S	2	Ag PLATED					
1	FRAME	NYLON 6T	1		2	TERMINAL	P B S	1	Ag PLATED
NO.	PART	MATERIAL	QTY	REMARKS	NO.	PART	MATERIAL	QTY	REMARKS

ISSUED	SPECIFICATION				TITLE: 2.5mm SMD STEREO JACK					
	RATING: DC 30V 0.3A				MODEL NO: SCJ-2513-SMT-A					
	CONTACT RESISTANCE: 50mΩ max.									
	INSULATION RESISTANCE: 100MΩ AT 500V DC				TOLERANCE	UNIT: MM	DWN.	<i>hoo</i>		
	WITHSTAND VOLTAGE: AC 500V for 1 minute				UP TO 1.0:±0.1	SCALE: 4:1	CHK'D.	<i>mu</i>		
	OPERATION FORCE: REFER ATTACH SPECIFICATION				1.0 TO 10.0:±0.2	VERSION: 03	APPD.	<i>[Signature]</i>		
	SWITCHING LIFE: 5,000 cycles min.				OVER 10.0:±0.3	DRWG NO:				

BY: *[Signature]*  
DATE: 06-SEP-2006

