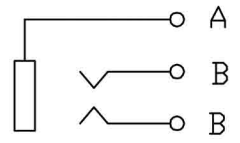
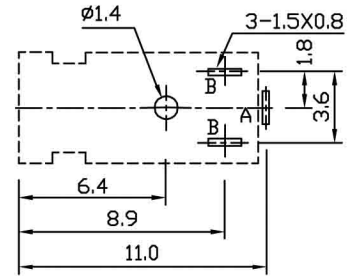


MATING PLUG

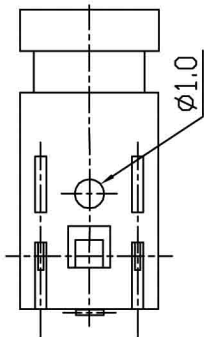
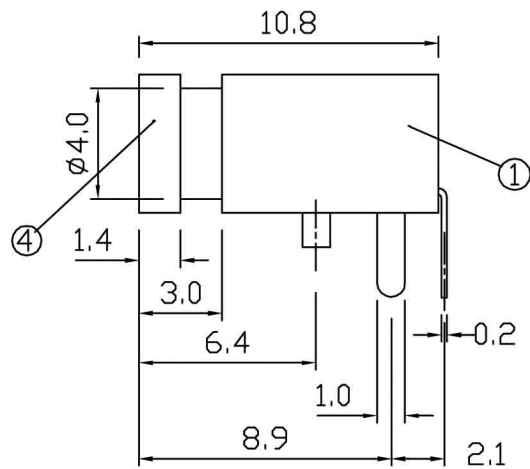
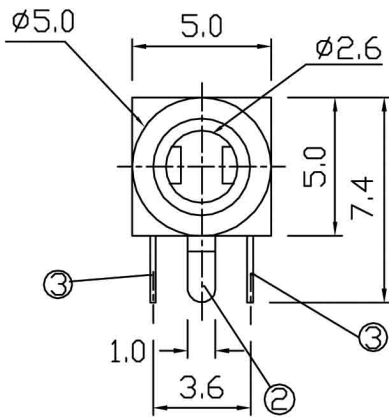
RoHS Compliance



SCHEMATIC



P.C.B LAYOUT



3	CONTACT	P B S	2	Ag PLATED	4	SHEATH	COPPER ALLOY	1	Ni PLATED
1	FRAME	P □ M	1		2	TERMINAL	P B S	1	Ag PLATED
NO	PART	MATERIAL	QTY	REMARKS	NO	PART	MATERIAL	QTY	REMARKS

ISSUED	SPECIFICATION	TITLE: MONO TYPE EARPHONE JACK							
	RATING: DC 30V 0.3A	MODEL NO: SCD-0253B							
	CONTACT RESISTANCE: 50mΩ MAX	UNIT: MM	DWN	白竟成					
	INSULATION RESISTANCE: 100MΩ AT 500V DC	SCALE: 4:1	CHK'D	汪志勇					
	WITHSTAND VOLTAGE: AC 500V for 1 minute	TOLERANCE: ±0,2	APPD.	万运和					
	OPERATION FORCE: REFER ATTACH SPECIFICATION								
	SWITCHING LIFE: 5k cycles min								

BY: 万运和  
DATE: 27-OCT-2006



DRWG NO:  
VERSION: 2.0