

F

E

D

C

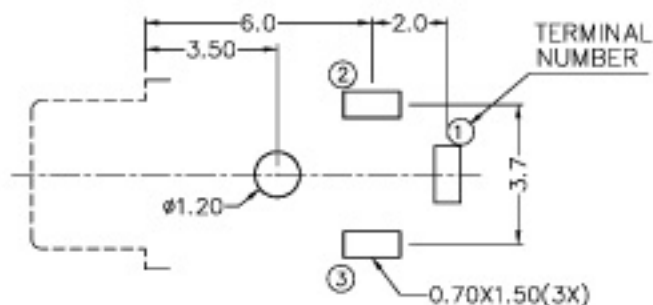
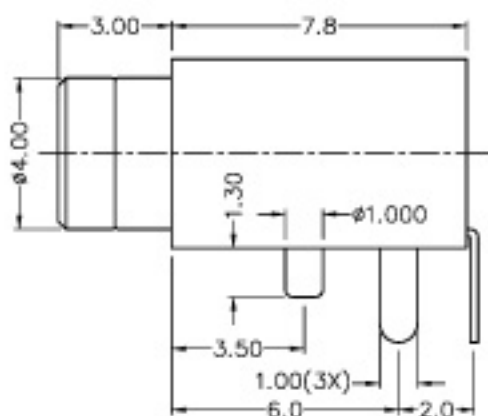
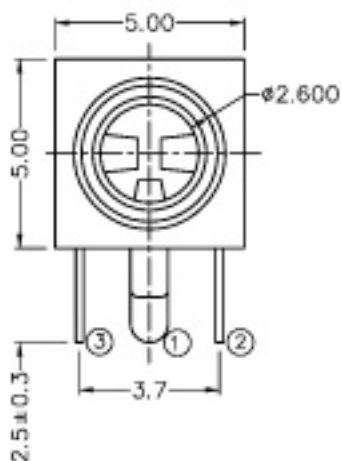
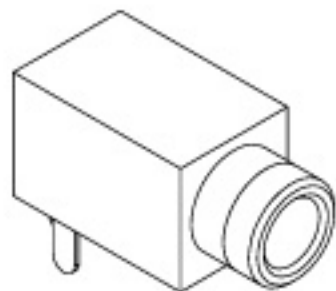
B

A

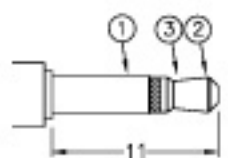
RoHS
Compliant

VIMEX
INTERNATIONAL CORPORATION

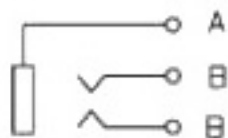
ZONE	SYMBOL	REVISION	APPROVAL	DATE
		ADD MATE PLUG	J.X.KUANG	14-9-2006



PCB LAYOUT
(BOTTOM VIEW)



Ø2.5 MATE PLUG



SCHEMATIC

* MATERIAL

TERMINAL 1 : COPPER ALLOY
 TERMINAL 2 : COPPER ALLOY
 TERMINAL 3 : COPPER ALLOY
 BUSHING : BRASS
 HOUSING : PBT

DESIGN	T.Y.LI	DATE	15-6-2005	SCALE	5:1
DRAWING	L.L.ZHANG	DATE	14-9-2006	MATERIAL	*
CHECK		DATE		DWG. NO.	
APPROVAL		DATE		SHEET	
PART NAME	2.5mm PHONE JACK		TOLERANCE UNLESS	0.0±0.2	UNIT:
PART NO.	SCJ-0253A		OTHERWISE SPECIFIED:	0.00±0.1 0.000±0.05	

F

E

D

C

B

A

DCF-04/A