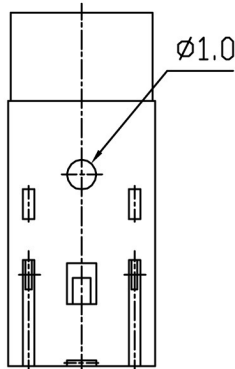
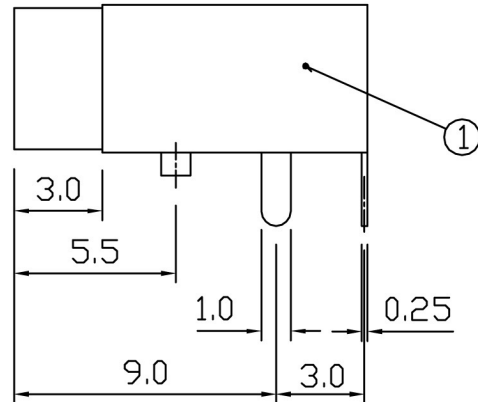
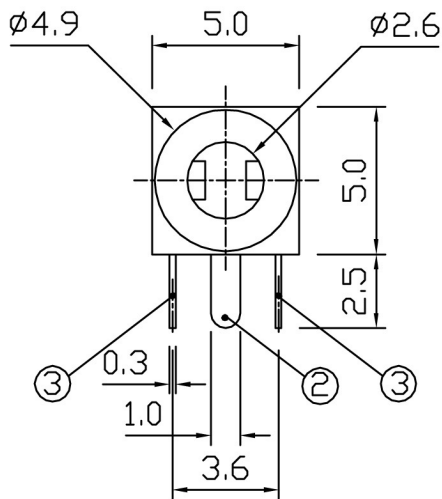
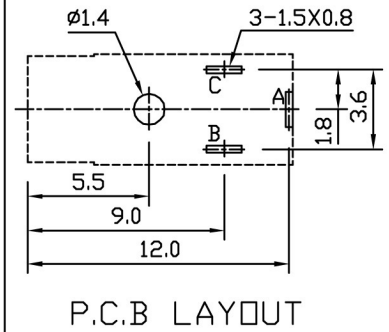
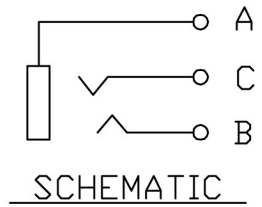


RoHS
Compliance



3	CONTACT	P B S	2	Ag PLATED					
1	FRAME	P A	1		2	TERMINAL	CuBe	1 Ag PLATED	
NO	PART	MATERIAL	QTY	REMARKS	NO	PART	MATERIAL	QTY	REMARKS

ISSUED	SPECIFICATION				TITLE: 2.5mm STEREO JACK				
	RATING: DC 30V 0.3A				MODEL NO: SCJ-0253				
	CONTACT RESISTANCE: 50mΩ MAX				UNIT: MM	DWN	白竟成		
	INSULATION RESISTANCE: 100MΩ AT 500V DC				SCALE: 4:1	CHK'D	汪志勇		
	WITHSTAND VOLTAGE: AC 500V for 1 minute				TOLERANCE: ±0.2	APP'D.	万运和		
	OPERATION FORCE: REFER ATTACH SPECIFICATION								
	SWITCHING LIFE: 5k cycles min								

BY: 万运和
DATE: 03-MAY-2006



DRWG NO:
VERSION: 3.0