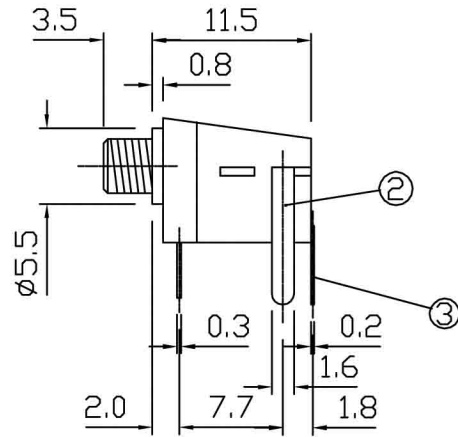
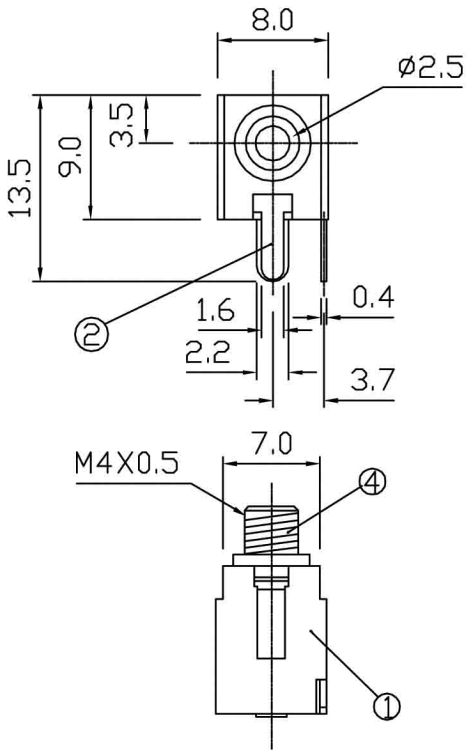
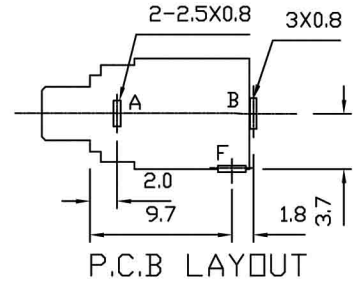
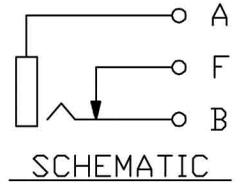


MATING PLUG

RoHS
Compliance



3	CONTACT	S U S	1	Ag PLATED	4	SHEATH	COPPER ALLOY	1	Ni PLATED
1	FRAME	P A	1		2	TERMINAL	BRASS	2	Ag PLATED
NO	PART	MATERIAL	QTY	REMARKS	NO	PART	MATERIAL	QTY	REMARKS

ISSUED	SPECIFICATION				TITLE: MONO TYPE EARPHONE JACK				
	RATING: DC 30V 0.3A				MODEL NO: SCJ-0252				
	CONTACT RESISTANCE: 50mΩ MAX				UNIT: MM	DWN	白竞成		
	INSULATION RESISTANCE: 100MΩ AT 500V DC				SCALE: 2:1	CHK'D	汪志勇		
	WITHSTAND VOLTAGE: AC 500V for 1 minute				TOLERANCE: ±0.2	APPD.	万运和		
	OPERATION FORCE: REFER ATTACH SPECIFICATION								
	SWITCHING LIFE: 5k cycles min								

BY: 万运和
DATE: 27-MAY-2007



DRWG NO:
VERSION: 2.0