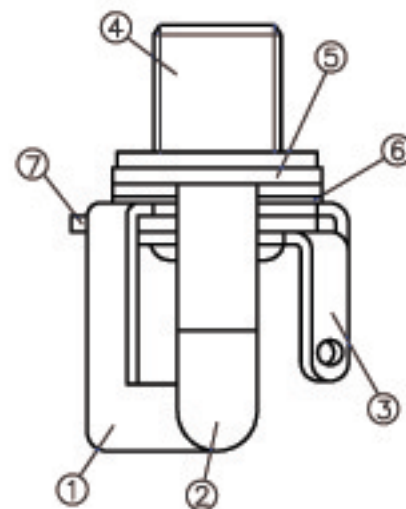



SCHEMATIC



NOTES:

- GENERAL TOLERANCE:
 X.X ±0.30
 X.XX ±0.20
 X.XXX ±0.10
 UNLESS STATED OTHERWISE
- ANGLE TOLERANCE:
 X.° ±5°
 X.X° ±3.0°
 X.XX° ±1.0°
 UNLESS STATED OTHERWISE
- DIMENSIONS ARE IN MM
 UNLESS STATED OTHERWISE

MECHANICAL STRUCTURE

INSERTION FORCE	2.0kg Max
EXTRACTION FORCE	0.1-2.0kg
ACAD FILE:	 SIZE A4

MODEL NO.

①	STEEL <Ag PLATED>
②	STEEL <Ag PLATED>
③	BRONZE <Ag PLATED>
④	BRONZE <NI PLATED>
⑤	PHENOL RESIN
⑥	PP

SCJ-0251-1

	PART NO.
⑦	POM
⑧	
⑨	
⑩	
⑪	
⑫	