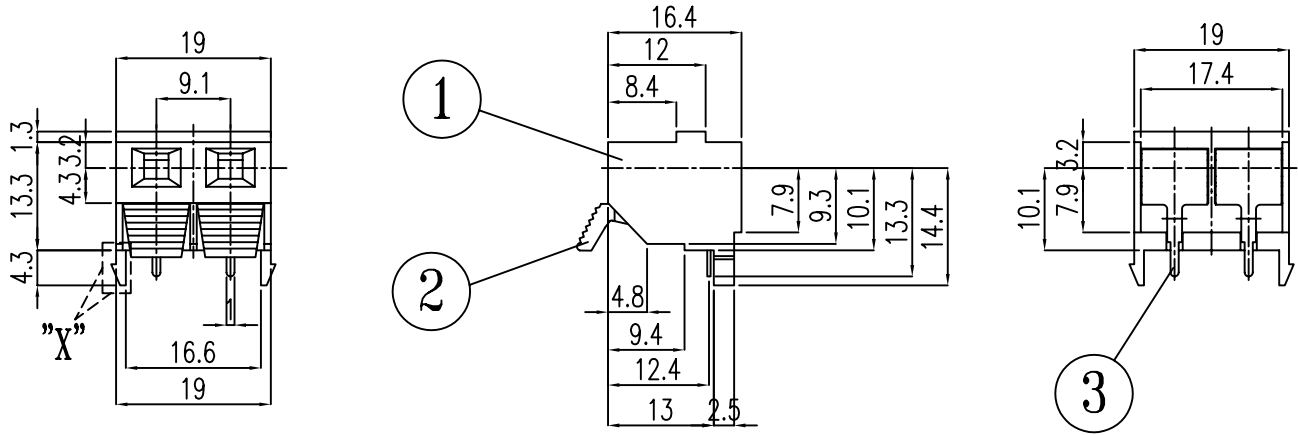
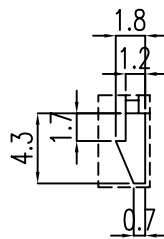
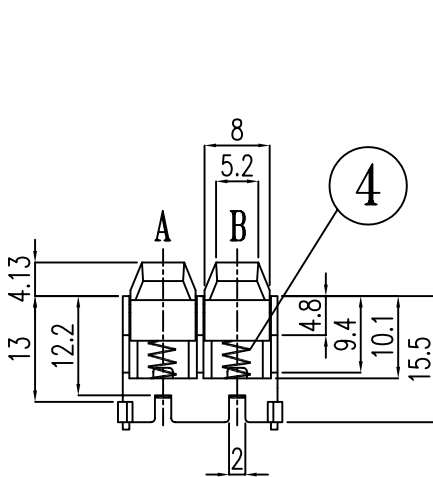


ALLOWANCE		MARK	DATE	DESCRIPTION OF REVISION	APPROVED
UNDER 3	± 0.1	△	03.7.1	SnPb — Sn ????	
3 TO 6	± 0.2	△			
6 TO 18	± 0.3	△			
18 TO 50	± 0.4	△			
50 OVER	± 0.5	△			

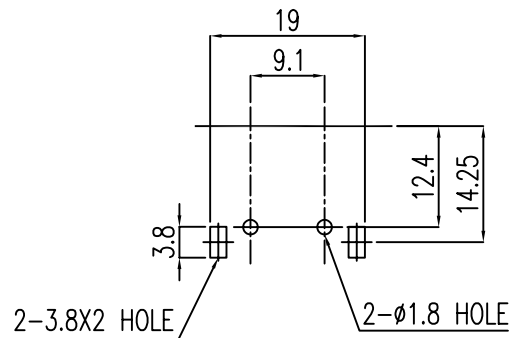


DETAIL "X" (2/1)



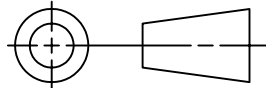
PCB-MTG

(Solder Surface)



4	SPRING	SWRH $\phi 0.55t$	2	1SP804N	RUSTPROOF-TREATMENT
3	TERMINAL	C2680 1/2H 0.4t	2	2P379 △	Sn -PLATING SnPb
2	KNOB	ABS 94HB	2	2M741	A: B B: R
1	BASE	ABS 94HB	1	2M873	BLACK
NO	PART NAME	MATERIAL	QUANTITY	PART NO	REMARKS

VIMEX INTERNATIONAL CORP.
800-227-0075



SCALE

1/1

DIMENSION m/m

REVISION	DRAWING	CHECKED	APPROVED	NAME TITLE	PUSH TER' BOARD(2P)
1.0				DRAWING NUMBER	
	2000.01.22	2000.01.22	2000.01.22		PC0220670P