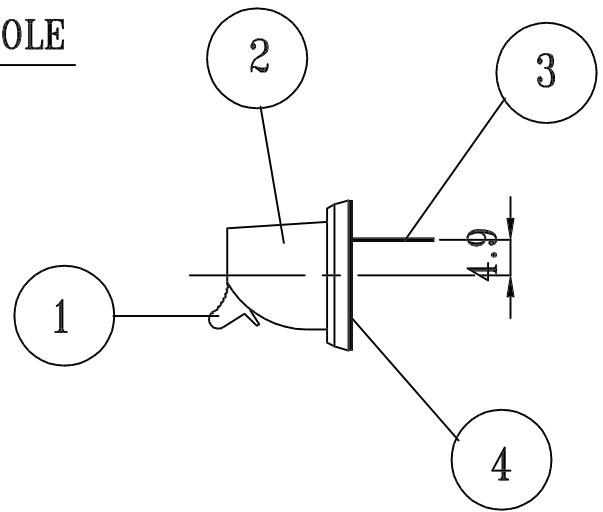
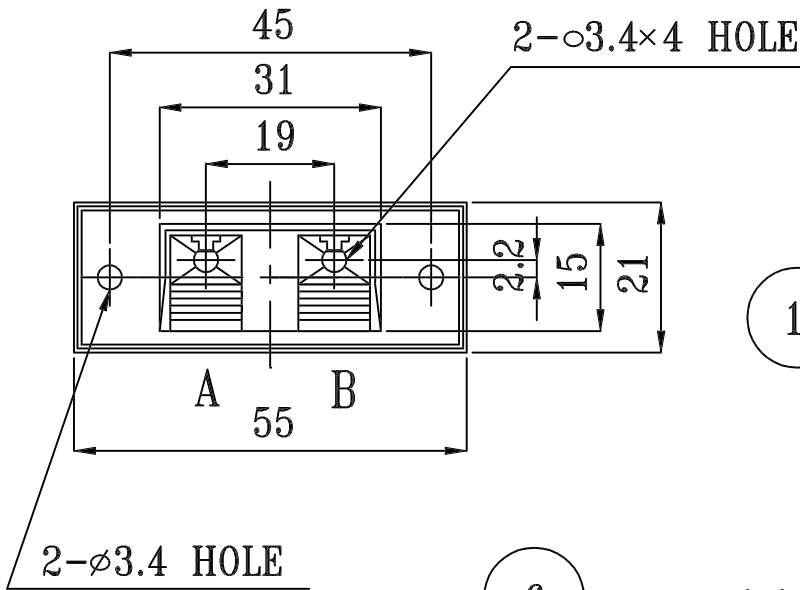
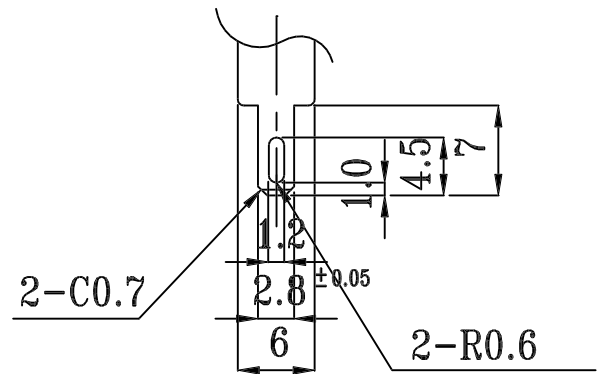
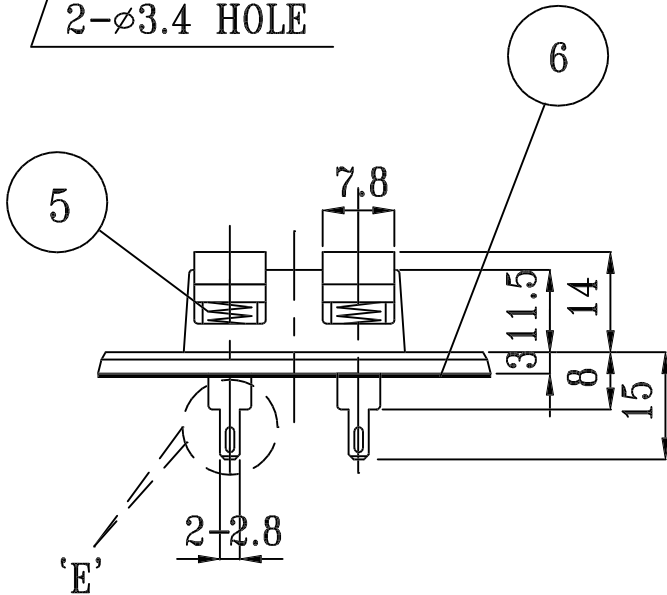


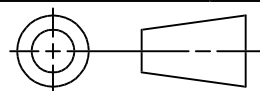
ALLOWANCE	MAK	DATE	DESCRIPTION OF REVISION	APPROVED
UNDER 3 ± 0.1	△	05. 8 . 6	1SP804N → 1SP804D CHANGE	
3 TO 6 ± 0.2				
6 TO 18 ± 0.3				
18 TO 50 ± 0.4				
50 OVER ± 0.5				



'E' DETAIL 2/1



6	COVER	ABS	94HB	1	2M680	BLACK
5	SPRING	SWRH	∅0.55t	2	△1SP804D	RUSTPROOF-TREATMENT
4	CUSHION	P.E				DARK GRAY
3	TERMINAL -S	C2680	1/2H 0.5t	2	2P194	NI-PLATING
2	BASE	ABS	94HB	1	2M673	BLACK
1	KNOB	ABS	94HB	2	2M679	A; B B; R
NO	PART NAME	MATERIAL		QUANTITY	PART NO	REMARKS



SCALE 1/1 DIMENSION m/m

REVISION	DRAWING	CHECKED	APPROVED	NAME TITLE	PUSH TER' BOARD(2P)
1.0				DRAWING NUMBER	PB0220580N
	2005.08.06	2005.08.06	2005.08.06		