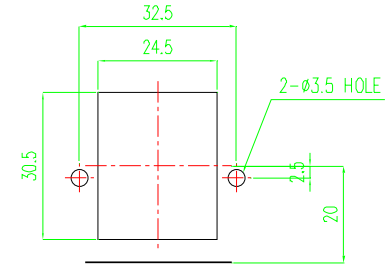
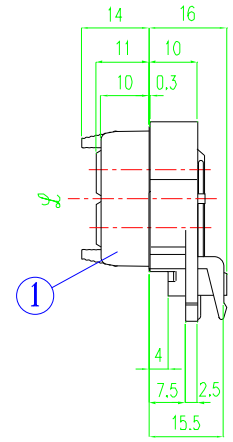
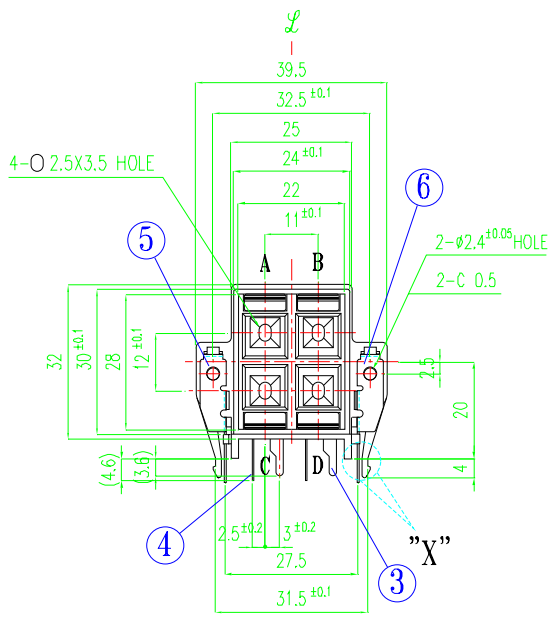
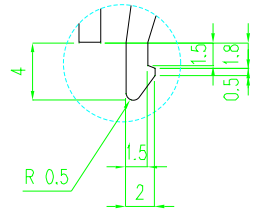
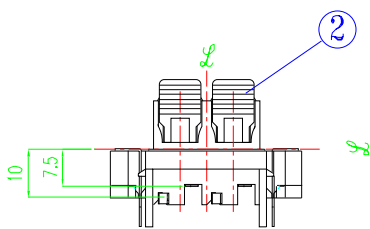


ALLOWANCE	MARK	DATE	DESCRIPTION OF REVISION	APPROVED
UNDER 3	± 0.1	△	. . .	
3 TO 6	± 0.2	△	. . .	
6 TO 18	± 0.3	△	. . .	
18 TO 50	± 0.4	△	. . .	
50 OVER	± 0.5	△	. . .	

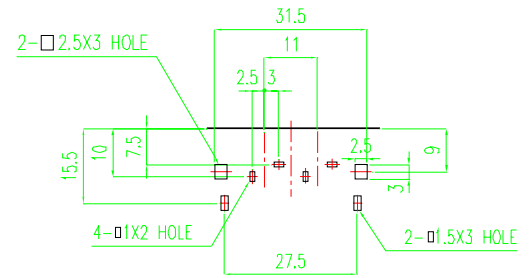


C/H HOLE

DETAIL "X" (2/1)



PCB MTG
(Solder surface)



KNOB COLOR	A:B	B:R
	C:B	D:R

NO	PART NAME	MATERIAL	QUANTITY	PART NO	REMARKS
6	EARTH TER'(R)	C2680 1/2H 0.4t	1	2P301	SnPb-PLATING
5	EARTH TER'(L)	C2680 1/2H 0.4t	1	2P300	SnPb-PLATING
4	TERMINAL-L	C5210 H 0.3t	2	2P077	SnPb-PLATING
3	TERMINAL-S	C5210 H 0.3t	2	2P078	SnPb-PLATING
2	KNOB	ACETAL	4	2M710	
1	BASE	ABS 94HB	1	2M697	BLACK

Vimex International Corp.
800-227-0075

	SCALE	1/1	DIMENSION	m/m
--	-------	-----	-----------	-----

REVISION	DRAWING	CHECKED	APPROVED	NAME TITLE	SPEAKER TER' BOARD(4P)
1.0				DRAWING NUMBER	P80420770P
	1995.11.01	1995.11.01	1995.11.01		