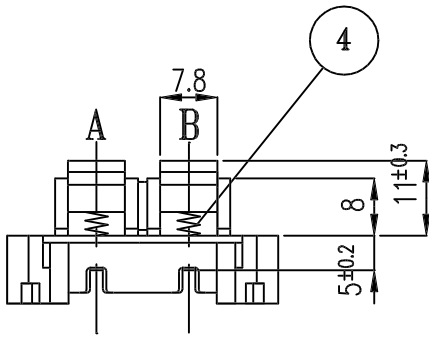
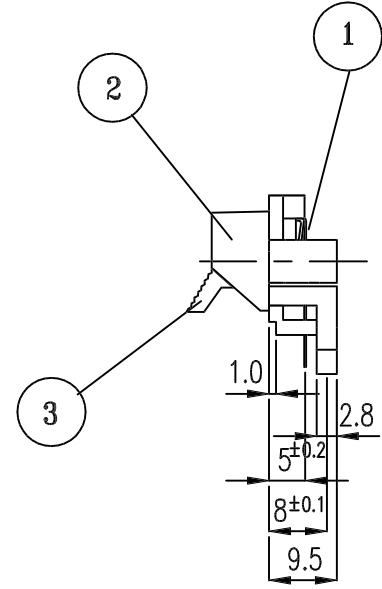
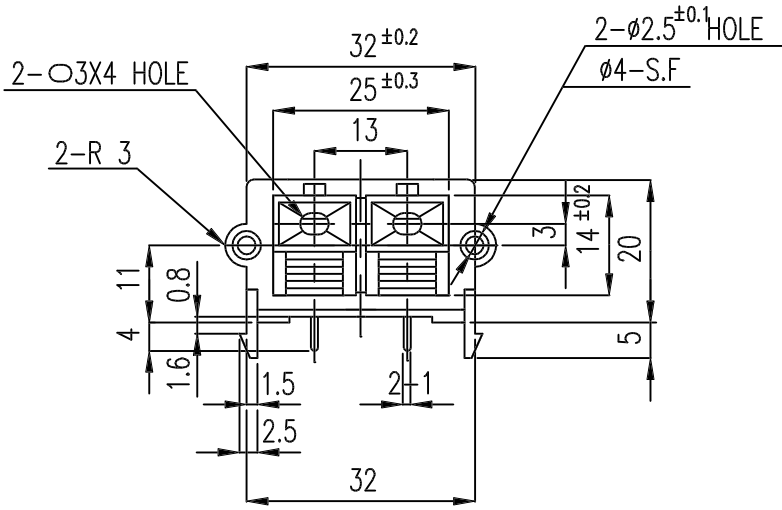
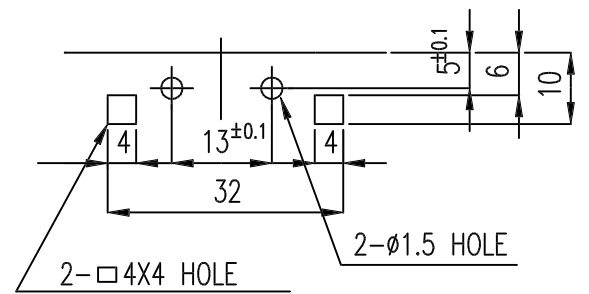


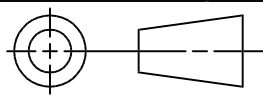
ALLOWANCE	MARK	DATE	DESCRIPTION OF REVISION	APPROVED
UNDER 3 ± 0.1	△	. .		
3 TO 6 ± 0.2	△	. .		
6 TO 18 ± 0.3	△	. .		
18 TO 50 ± 0.4	△	. .		
50 OVER ± 0.5	△	. .		



PCB-MTG



4	SPRING	SWRH	∅0.55t	2	1SP804N	RUSTPROOF-TREATMENT
3	KNOB	ABS	94HB	2	2M657	A:B B:R
2	BASE	ABS	94HB	1	2M677	BLACK
1	TERMINAL	C2680	1/2H 0.6t	2	2P084	Sn-PLATING
NO	PART NAME	MATERIAL		QUANTITY	PART NO	REMARKS



SCALE	1/1	DIMENSION	m/m
-------	-----	-----------	-----

REVISION	DRAWING	JUDGING	APPROVED	NAME	PUSH TER' BOARD(2P)
				TITLE	
1.1				DRAWING NUMBER	P40220470P
	2008.10.27	2008.10.27	2008.10.27		