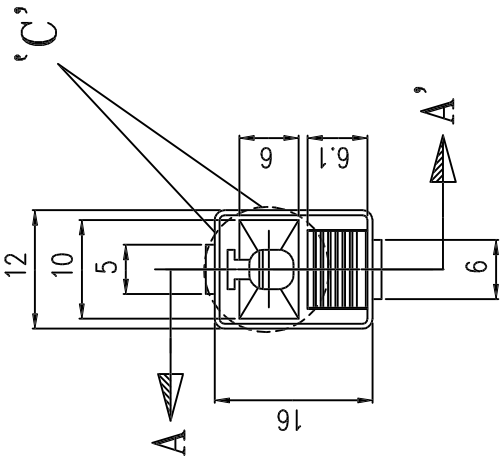
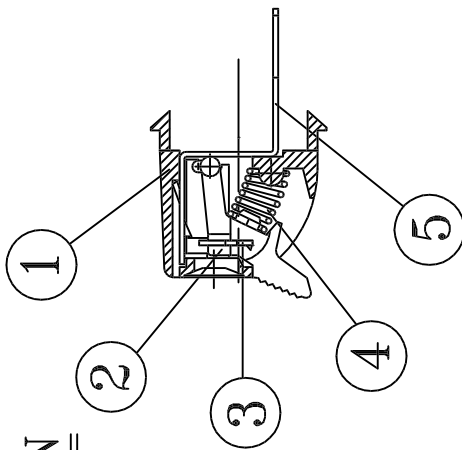


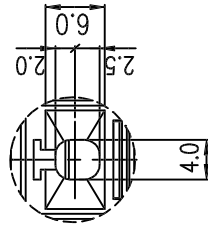
ALLOWANCE	MARK	DATE	DESCRIPTION OF REVISION	APPROVED
UNDER 3 ± 0.1	△			
3 TO 6 ± 0.2	△			
6 TO 18 ± 0.3	△			
18 TO 50 ± 0.4	△			
50 OVER ± 0.5	△			



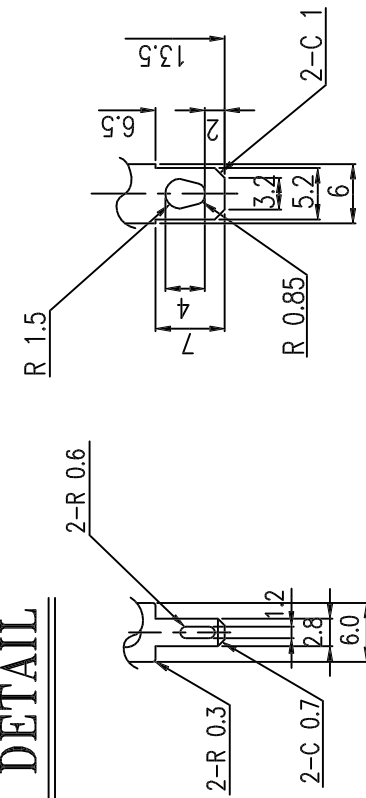
**A-A' SECTION**



**'C' DETAIL**



**'D' DETAIL**



5	TERMINAL	C2680 1/2 H <sub>0.5t</sub>	1	2P214	Ni-PLATING	
4	SPRING	HSW-3 ø0.55	1	1SP804N	RUSTPROOF-TREATMENT	
3	WING	C2680 1/2 H <sub>0.6t</sub>	1	2P204	Ni-PLATING	
2	KNOB	ABS 94HB	1	2M740	BLACK	
1	COVER	ABS 94HB	1	2M753	BLACK	
NO	PART NAME	MATERIAL	QUANTITY	PART NO	REMARKS	
						SCALE 2/1
REVISION	CHECKED	JUDGING	APPROVED	NAME		DIMENSION <sup>mm</sup> / <sub>m</sub>
1.0				TITLE		
				DRAWING NUMBER		
	2000.08.15	2008.10.28	2008.10.28	PUSH TER' BOARD		P1012003BN