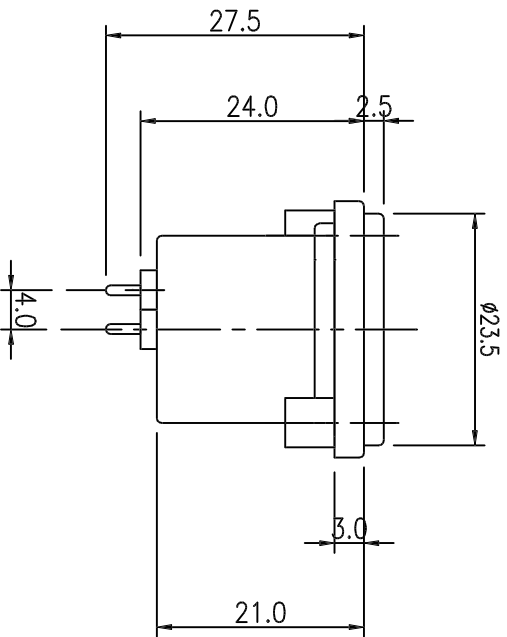
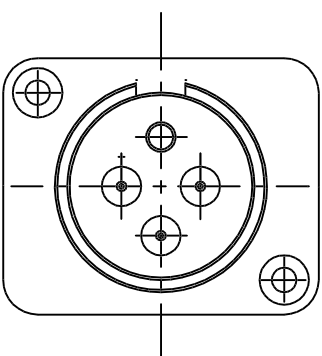
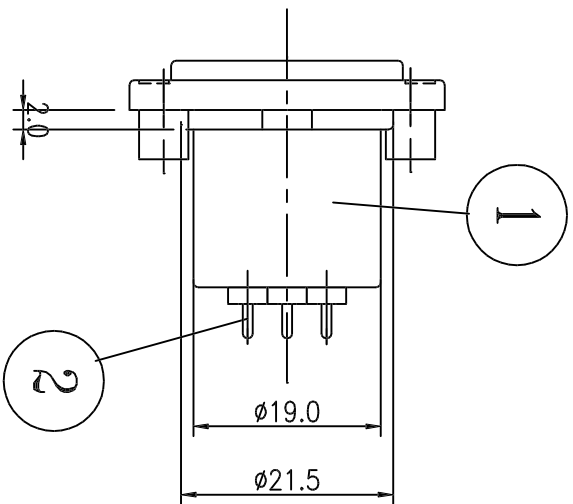
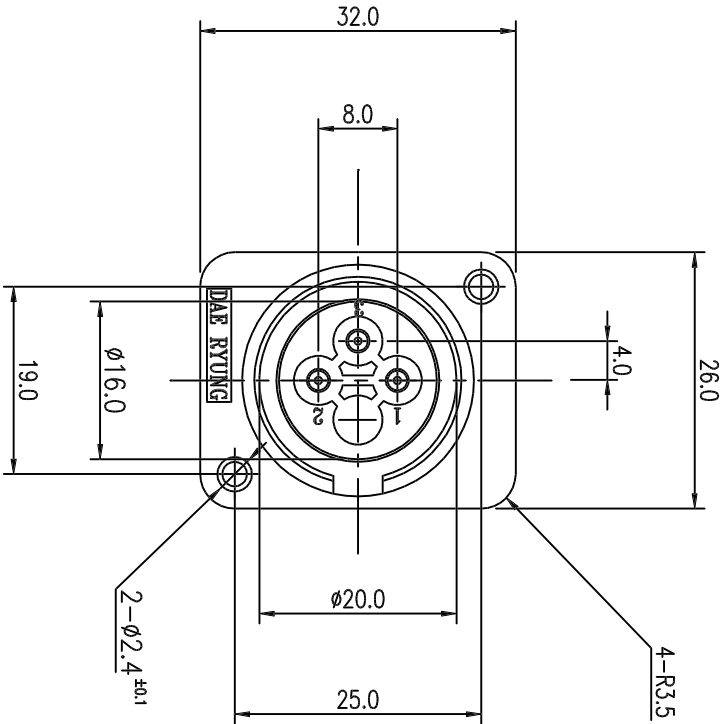
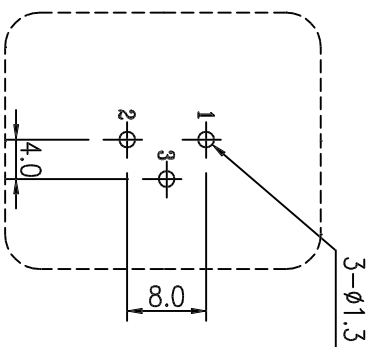


ALLOWANCE	MARK	DATE	DESCRIPTION OF REVISION	APPROVED
UNDER 6	± 0.05	△	..	
6 TO 18	± 0.1	△	..	
18 TO 32	± 0.15	△	..	
32 TO 50	± 0.2	△	..	
50 OVER	± 0.25	△	..	



## PCB MTG



NO	PIN	C3601 BE (0)	3	1P0861	Ni-PLATING
1	BASE	P B T	1	2M685	BLACK

NO	PART NAME	MATERIAL	QUANTITY	PART NO	REMARKS



NAME	SCALE	DIMENSION
TITLE	2/1	mm

DRAWING	CHECKED	JUDGING	APPROVED	NAME	MIC CONNECTOR
				TITLE	

DRAWING NUMBER	1993.08.18	1993.08.26	DRAWING NUMBER	E403A0110N