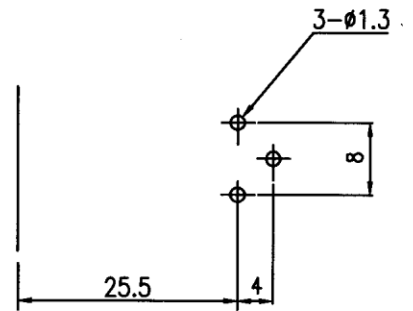
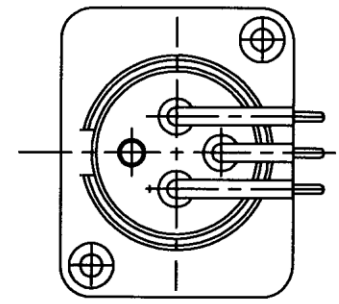
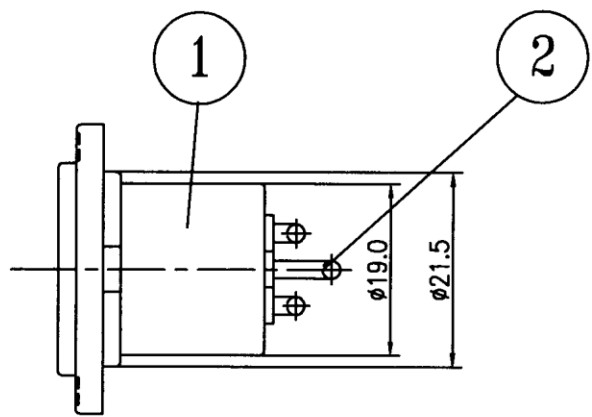


ALLOWANCE	MARK	DATE	DESCRIPTION OF REVISION	APPROVED
UNDER 8 ±0.05	△	..		
8 TO 18 ±0.1	△	..		
18 TO 32 ±0.15	△	..		
32 TO 50 ±0.2	△	..		
50 OVER ±0.25	△	..		



PCB MTG

2	PIN-L	C3601 BE (0)	3	1P862	-PLATING
1	BASE	P B T v-0	1	2M685-1	BLACK
NO	PART NAME	MATERIAL	QUANTITY	PART NO	REMARKS
					SCALE 2/1 DIMENSION <sup>mm</sup> / <sub>mm</sub>
DRAWING	CHECKED	JUDGING	APPROVED	NAME TITLE	
				MIC CONNECTOR	
1993.08.18	1993.08.26			DRAWING NUMBER	
				E403A008 --	