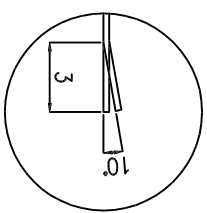
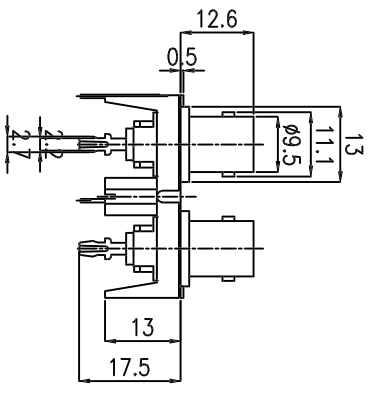
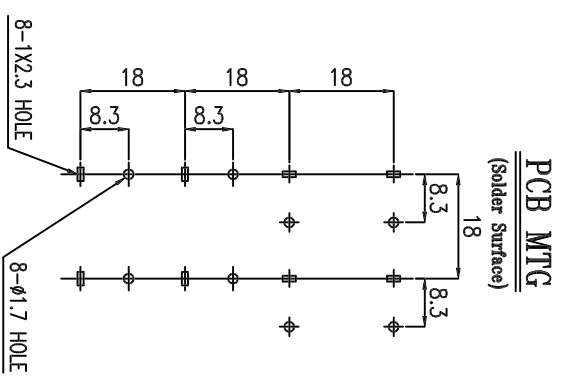
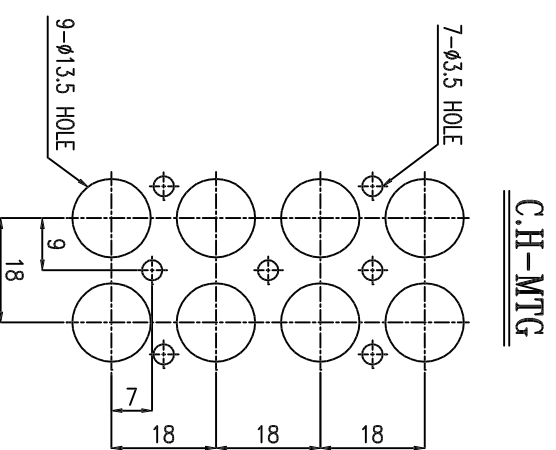
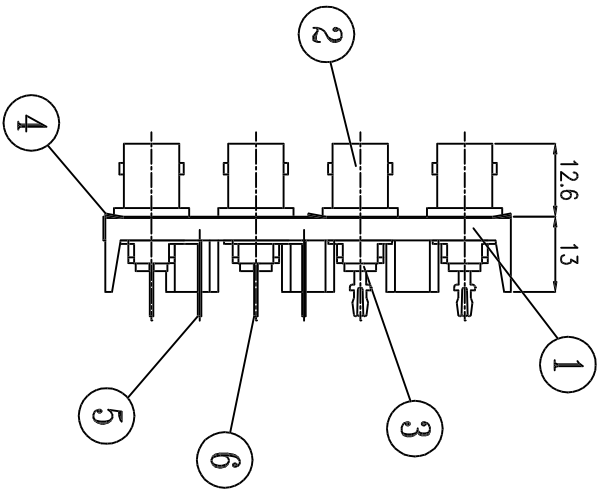
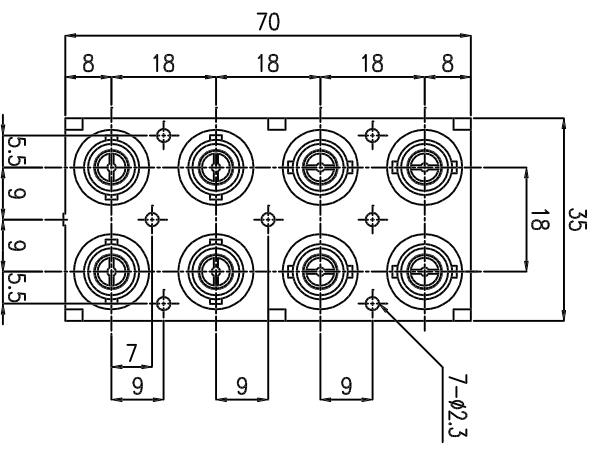


ALLOWANCE	MARK	DATE	DESCRIPTION OF REVISION	APPROVED
UNDER 3 ± 0.1	▽	.. .		
3 TO 6 ± 0.2	▽	.. .		
6 TO 18 ± 0.3	▽	.. .		
18 TO 50 ± 0.4	▽	.. .		
50 OVER ± 0.5	▽	.. .		



NO	PART NAME	MATERIAL	QUANTITY	PART NO	REMARKS
1	BASE	ABS 94HB	1	2M918	BLACK
2	COVER	ZDC 2	8	1C0865	NI -PLATING
3	BUSHING	ABS 94HB	8	2M787	NP
4	GROUND PLATE	C2680 H 0.3t	1	1P464	NI -PLATING
5	GROUND PIN	C2680 H 0.6t	8	2P317	SN -PLATING
6	PIN	C2680 H 0.6t	8	2P318	SN -PLATING

REVISION	DRAWING	CHECKED	APPROVED	NAME TITLE	SCALE	DIMENSION
1.0	2001.10.24	2001.10.24	2001.10.24	BNC CONNECTOR(8P)	1/1	mm/mm

DRAWING NUMBER: C30860240N

