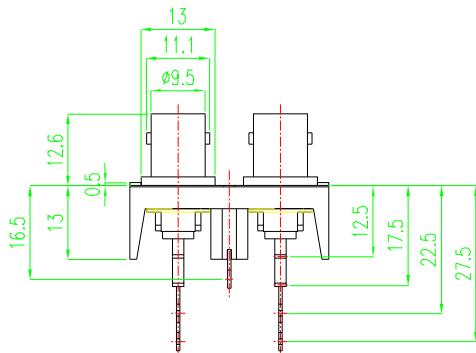
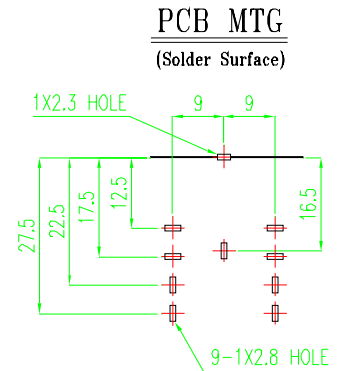
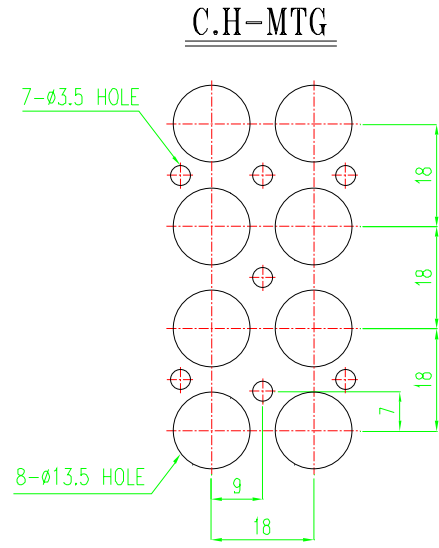
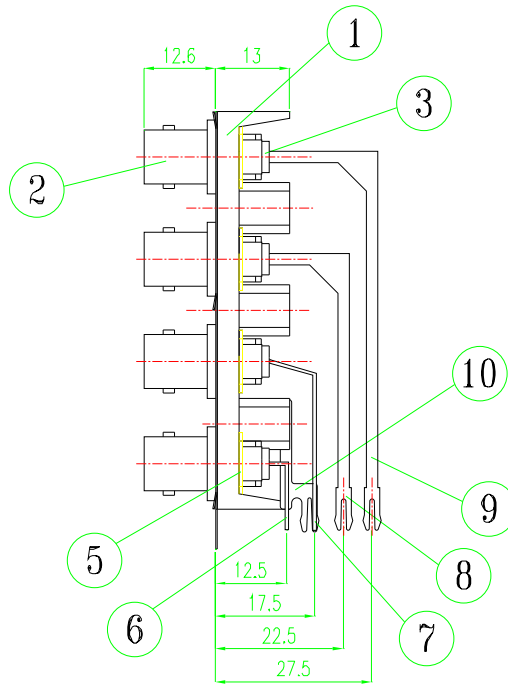
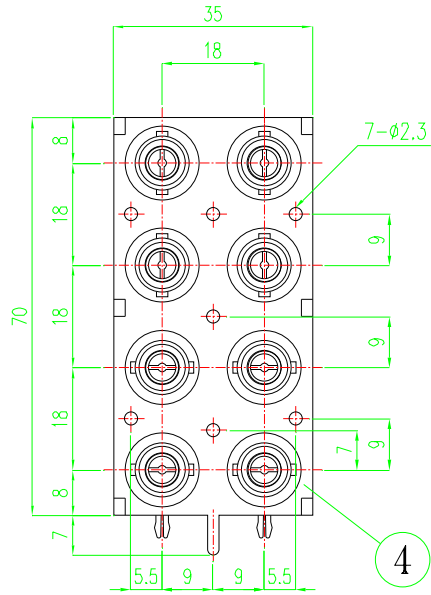


ALLOWANCE	MARK	DATE	DESCRIPTION OF REVISION	APPROVED
UNDER 3	± 0.1	△	. . .	
3 TO 6	± 0.2	△	. . .	
6 TO 18	± 0.3	△	. . .	
18 TO 50	± 0.4	△	. . .	
50 OVER	± 0.5	△	. . .	



NO	PART NAME	MATERIAL	QUANTITY	PART NO	REMARKS
10	EARTH TERMINAL	C2680 H 0.4t	1	2P280	NI -PLATING
9	PIN	C2680 H 0.6t	2	2P463	TIN -PLATING
8	PIN	C2680 1/2H 0.6t	2	2P462	TIN -PLATING
7	PIN	C2680 H 0.6t	2	2P416	TIN -PLATING
6	PIN	C2680 H 0.6t	2	2P279	TIN -PLATING
5	GROUND PIN	C2680 H 0.6t	8	2P278	TIN -PLATING
4	GROUND PLATE	C2680 H 0.3t	1	1P464	TIN -PLATING
3	BUSHING	ABS 94HB	8	2M787	NP
2	COVER	ZDC 2	8	1C0865	NI -PLATING
1	BASE	ABS 94HB	1	2M918	BLACK

Vimex International Corp.
800-227-0075

SCALE 1/1 DIMENSION m/m

REVISION	DRAWING	CHECKED	APPROVED	NAME TITLE
1.1	L.M.S			BNC CONNECTOR(8P)
	2001.10.24	2001.10.24	2001.10.24	DRAWING NUMBER

C30860230N