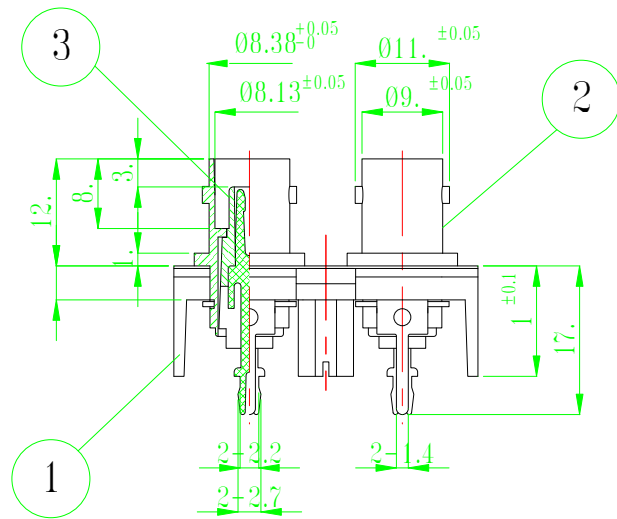
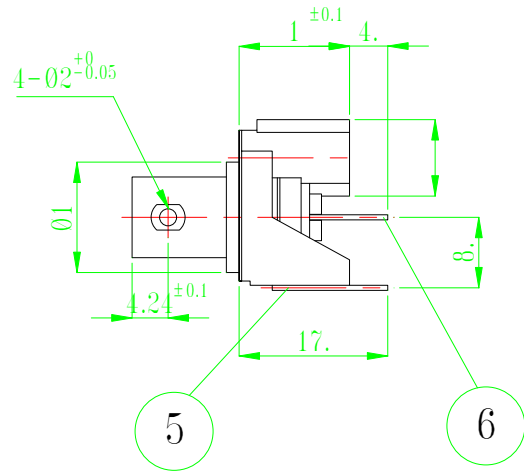
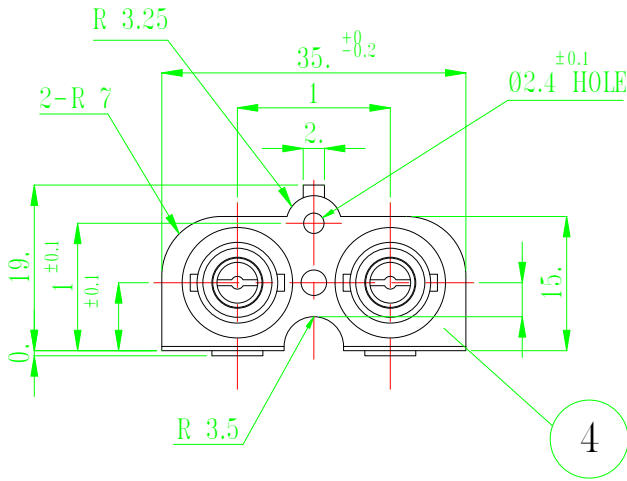
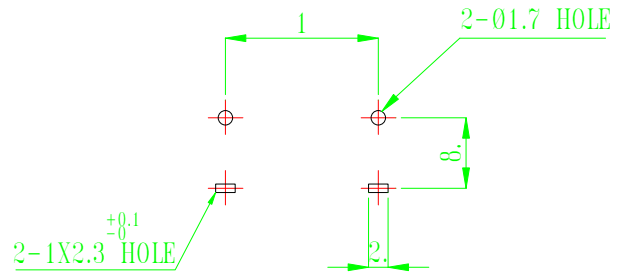


ALLOWANCE		MARK	DATE	DESCRIPTION OF REVISION	APPROVED
UNDER 3	± 0.1		. .		
3 TO 6	± 0.2		. .		
6 TO 18	± 0.3		. .		
18 TO 50	± 0.4		. .		
50 OVER	± 0.5		. .		

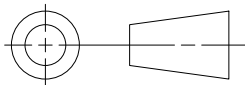


PCB MTG



6	PIN	C2680 H	0.6t	2	2P318	-PLATING
5	GROUND PIN	C2680 H	0.6t	2	2P317	-PLATING
4	GROUND PLATE	C2680 H	0.3t	1	2P277	-PLATING
3	BUSHING	ABS	94HB	1	2M787	NP
2	COVER	ZDC	2	2	1C0865	-PLATING
1	BASE	ABS	94HB	1	2M786	BLACK
NO	PART NAME	MATERIAL		QUANTITY	PART NO	REMARKS

Vimex International Corp.
800-227-0075



SCALE

1/1

DIMENSION

m/m

REVISION	DRAWING	CHECKED	APPROVED	NAME TITLE	BNC CONNECTOR(2P)
1.0	L.M.S			DRAWING NUMBER	
	1999.07.30	2002.06.14	2002.06.14		C3026115 <input type="checkbox"/> <input type="checkbox"/>