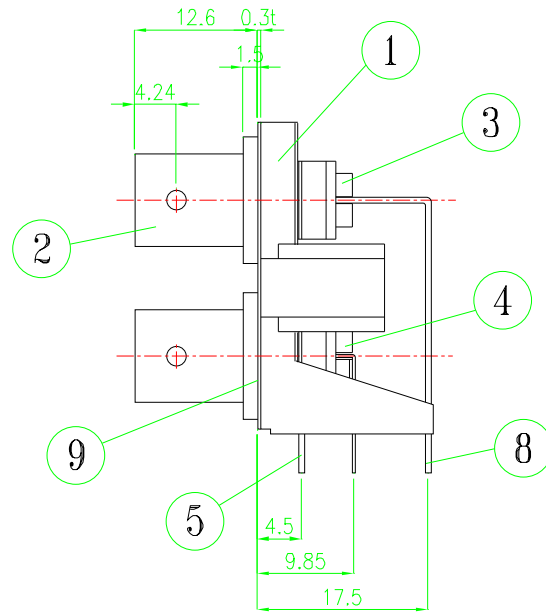
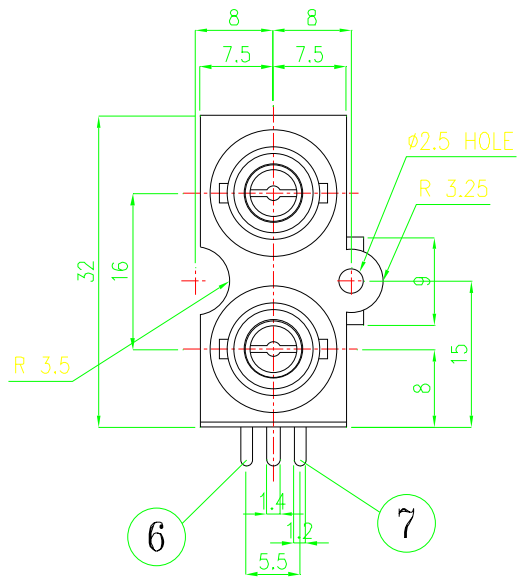
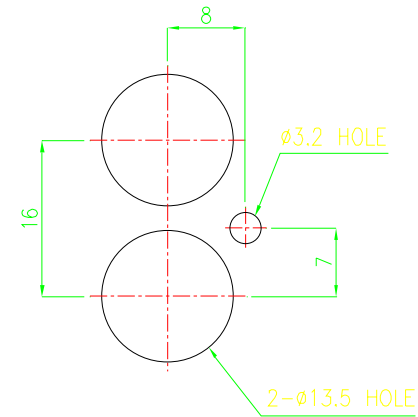


ALLOWANCE	MARK	DATE	DESCRIPTION OF REVISION	APPROVED
UNDER 3	± 0.1	△	. .	
3 TO 6	± 0.2	△	. .	
6 TO 18	± 0.3	△	. .	
18 TO 50	± 0.4	△	. .	
50 OVER	± 0.5	△	. .	

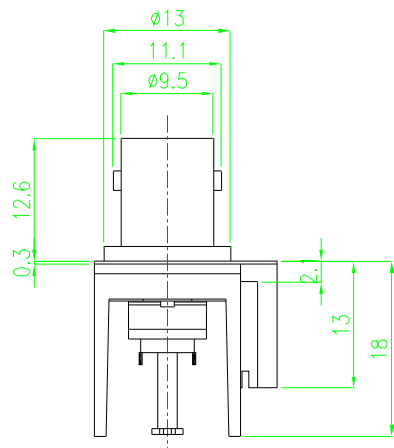
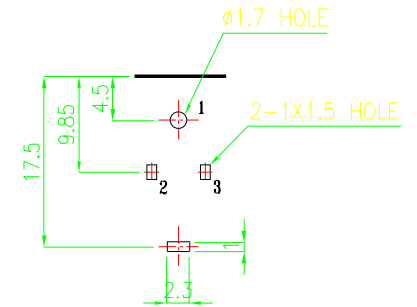


C.H-MTG

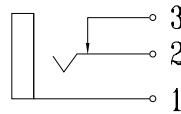


PCB MTG

(Solder Surface)



SCHEMATIC



9	GROUND PLATE	C2680 H	0.3t	1	2P417	NI -PLATING
8	PIN-L	C2680 H	0.6t	1	2P416	TIN -PLATING
7	TIP-SPRING	C5210 H	0.3t	1	2P447	TIN -PLATING
6	BREAK TER'	C2680 1/2H	0.4t	1	2P448	TIN -PLATING
5	GROUND PIN	C2680 H	0.6t	2	2P278	TIN -PLATING
4	BUSHING-û»	ABS	94HB	1	2M893	NP
3	BUSHING-B?	ABS	94HB	1	2M787	NP
2	COVER	ZDC	2	2	1C0865	NI -PLATING
1	BASE	ABS	94HB	1	2M878	BLACK
NO	PART NAME	MATERIAL	QUANTITY	PART NO	REMARKS	

Vimex International Corp.					SCALE	1/1	DIMENSION	m/m
REVISION	DRAWING	CHECKED	APPROVED		NAME TITLE		BNC CONNECTOR(2P)	
1.0	L.M.S			DRAWING NUMBER		C30260221N		
	2001.06.15	2001.06.15	2001.06.15					