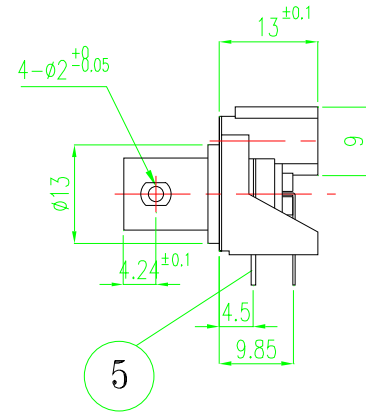
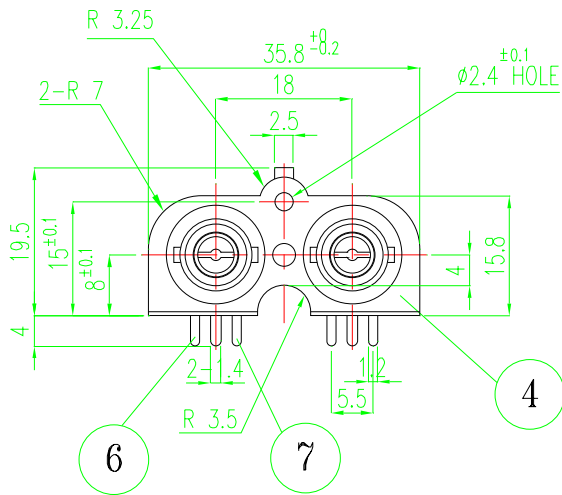
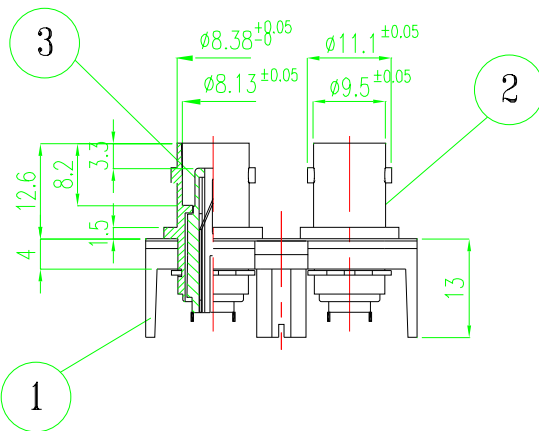
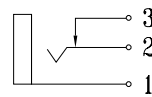


| ALLOWANCE | | MARK | DATE | DESCRIPTION OF REVISION | APPROVED |
|-----------|-------|------|------|-------------------------|----------|
| UNDER 3 | ± 0.1 | △ | . . | | |
| 3 TO 6 | ± 0.2 | △ | . . | | |
| 6 TO 18 | ± 0.3 | △ | . . | | |
| 18 TO 50 | ± 0.4 | △ | . . | | |
| 50 OVER | ± 0.5 | △ | . . | | |

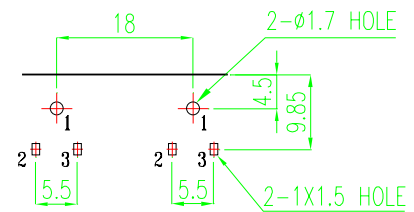


SCHMATIC



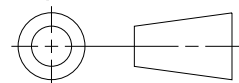
PCB MTG

(Solder Surface)



| | | | | | | |
|----|--------------|------------|------|----------|---------|----------|
| 7 | TIP-SPRING | C5210 H | 0.3t | 2 | 2P447 | -PLATING |
| 6 | BREAK TER' | C2680 1/2H | 0.4t | 2 | 2P448 | -PLATING |
| 5 | GROUND PIN | C2680 H | 0.6t | 2 | 2P278 | -PLATING |
| 4 | GROUND PLATE | C2680 H | 0.3t | 1 | 2P277 | -PLATING |
| 3 | BUSHING | ABS | 94HB | 1 | 2M893 | NP |
| 2 | COVER | ZDC | 2 | 2 | 1C0865 | -PLATING |
| 1 | BASE | ABS | 94HB | 1 | 2M786 | BLACK |
| NO | PART NAME | MATERIAL | | QUANTITY | PART NO | REMARKS |

Vimex
International Corp.



SCALE

1/1

DIMENSION

m/m

| REVISION | DRAWING | CHECKED | APPROVED | NAME TITLE | BNC CONNECTOR(2P) |
|----------|------------|------------|------------|-------------------|-------------------|
| 1.0 | L.M.S | | | DRAWING NUMBER | |
| | 2001.06.15 | 2001.06.15 | 2001.06.15 | | C3026021 □ □ |