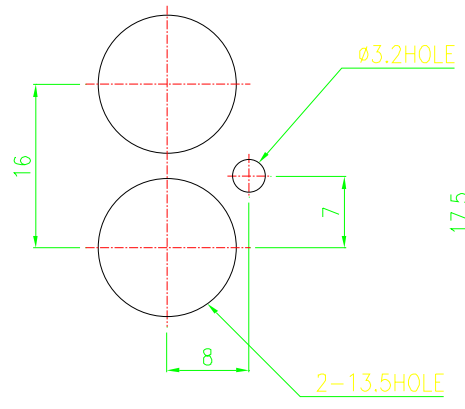
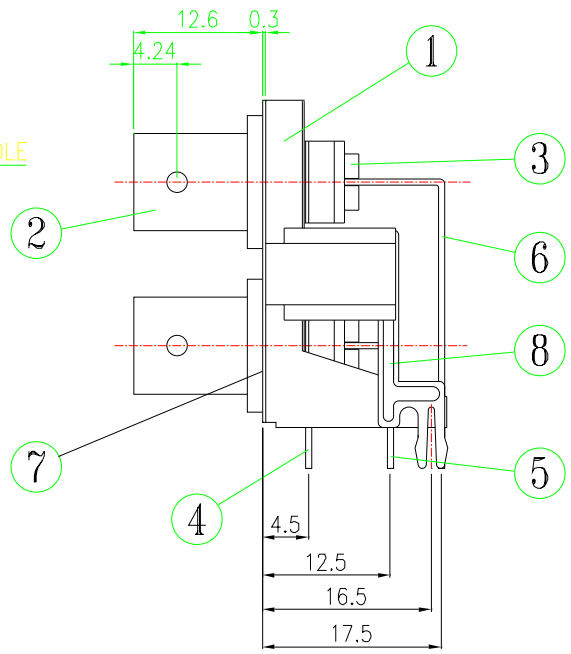
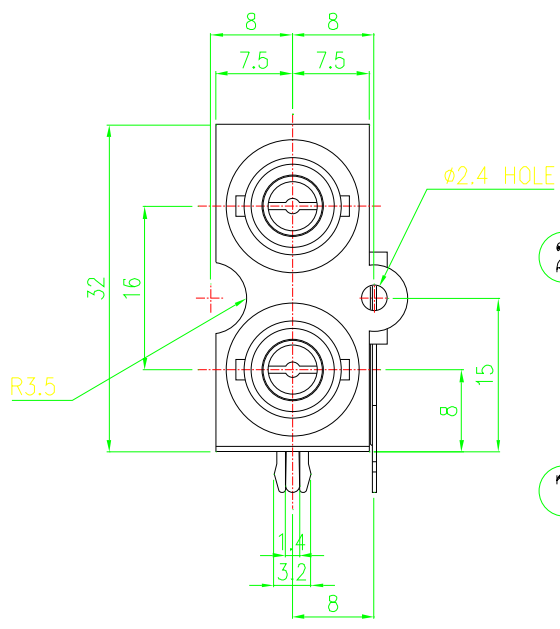
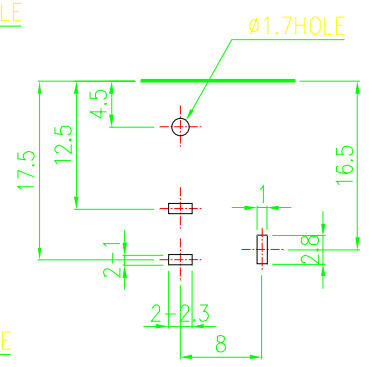


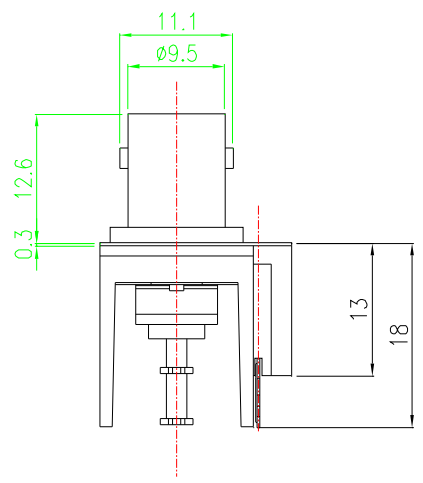
ALLOWANCE	MARK	DATE	DESCRIPTION OF REVISION	APPROVED
UNDER 3 ± 0.1	△	. .		
3 TO 6 ± 0.2	△	. .		
6 TO 18 ± 0.3	△	. .		
18 TO 50 ± 0.4	△	. .		
50 OVER ± 0.5	△	. .		



C.H-MTG





PCB MTG
(Solder Surface)



8	EARTH TERMINAL	C2680 H	0.4t	1	2P280	- PLATING
7	GROUND PLATE	C2680 H	0.3t	1	2P417	- PLATING
6	PIN-L	C2680 H	0.6t	1	2P416	- PLATING
5	PIN-S	C2680 H	0.6t	1	2P318	- PLATING
4	GROUND PIN	C2680 H	0.6t	2	2P317	- PLATING
3	BUSHING	ABS	94HB	2	2M787	NP
2	COVER	ZDC	2	2	1C0865	- PLATING
1	BASE	ABS	94HB	1	2M878	BLACK
NO	PART NAME	MATERIAL	QUANTITY	PART NO	REMARKS	

VIMEX INTERNATIONAL CORP.



 SCALE 1/1 DIMENSION m/m

REVISION	DRAWING	CHECKED	APPROVED	NAME TITLE	
1. 0	1999.11.15	1999.11.15	1999.11.15	BNC CONNECTOR(2P)	
				DRAWING NUMBER	C30260171N