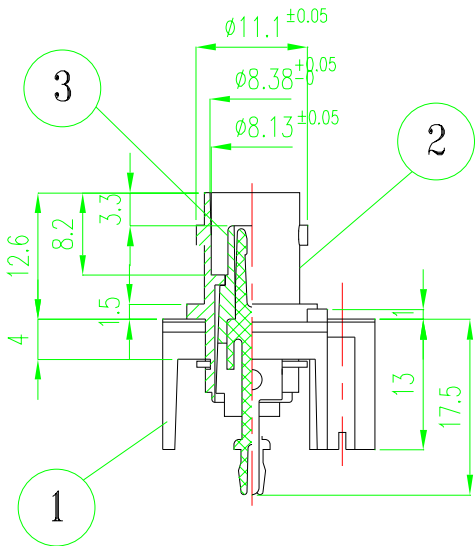
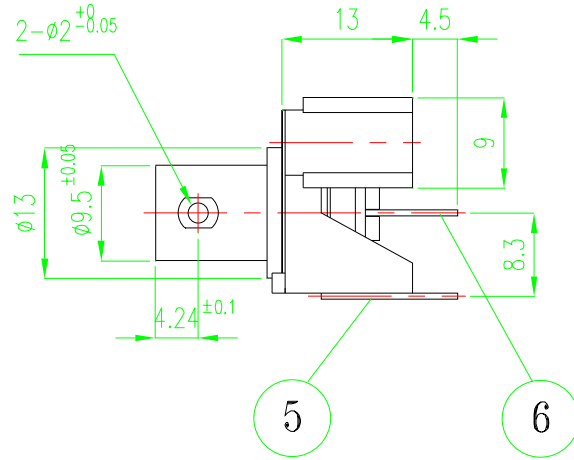
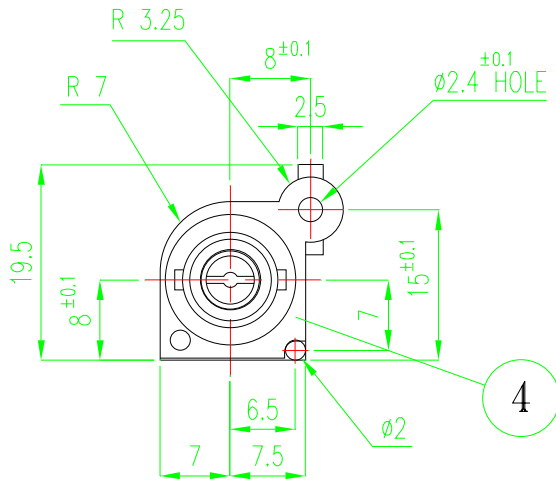
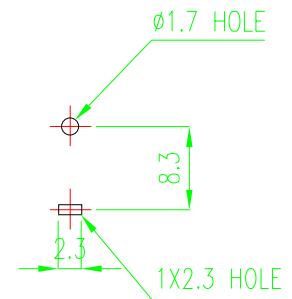
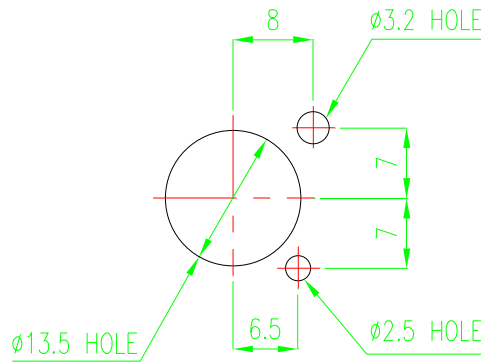


ALLOWANCE		MARK	DATE	DESCRIPTION OF REVISION	APPROVED
UNDER 3	± 0.1	△	. .		
3 TO 6	± 0.2	△	. .		
6 TO 18	± 0.3	△	. .		
18 TO 50	± 0.4	△	. .		
50 OVER	± 0.5	△	. .		



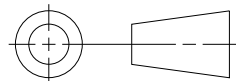
C.H-MTG

PCB MTG



6	PIN	C2680 H	0.6t	1	2P318	NI-PLATING
5	GROUND PIN	C2680 H	0.6t	1	2P317	NI-PLATING
4	GROUND PLATE	C2680 H	0.3t	1	2P281	NI-PLATING
3	BUSHING	ABS	94HB	1	2M787	NP
2	COVER	ZDC	2	1	1C0865	NI-PLATING
1	BASE	ABS	94HB	1	2M788	BLACK
NO	PART NAME	MATERIAL		QUANTITY	PART NO	REMARKS

Vimex International Corp.  
800-227-0075



SCALE 1/1 DIMENSION m/m

REVISION	DRAWING	CHECKED	APPROVED	NAME TITLE	BNC CONNECTOR(1P)
1.0	L.M.S			DRAWING NUMBER	
	1999.07.30	2002.12.17	2002.12.17		C3016014□□