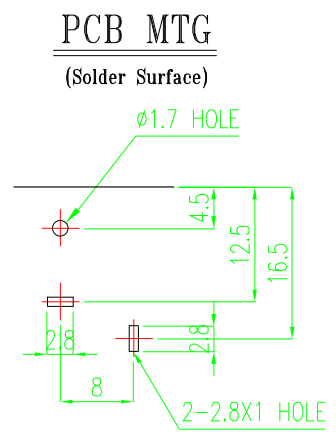
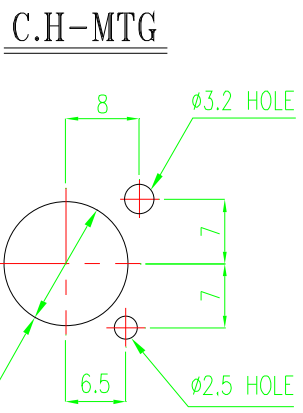
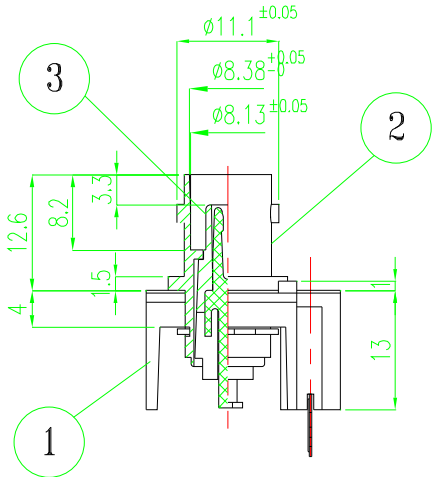
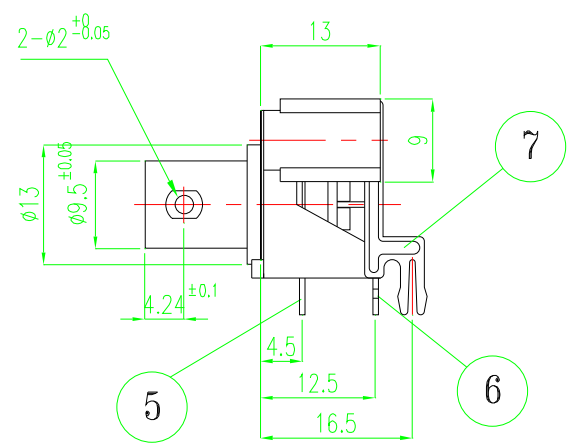
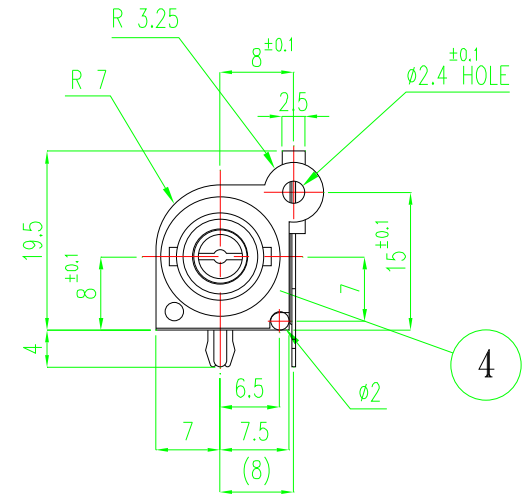


ALLOWANCE		MARK	DATE	DESCRIPTION OF REVISION	APPROVED
UNDER 3	± 0.1	△	. .		
3 TO 6	± 0.2	△	. .		
6 TO 18	± 0.3	△	. .		
18 TO 50	± 0.4	△	. .		
50 OVER	± 0.5	△	. .		



NO	PART NAME	MATERIAL	QUANTITY	PART NO	REMARKS
7	EARTH TER'	C2680 H 0.4t	1	2P280	-PLATING
6	PIN	C2680 H 0.6t	1	2P279	-PLATING
5	GROUND PIN	C2680 H 0.6t	1	2P278	-PLATING
4	GROUND PLATE	C2680 H 0.3t	1	2P281	-PLATING
3	BUSHING	ABS 94HB	1	2M787	NP
2	COVER	ZDC 2	1	1C0865	-PLATING
1	BASE	ABS 94HB	1	2M788	BLACK

Vimex International Corp.					SCALE 1/1 DIMENSION m/m
REVISION	DRAWING	CHECKED	APPROVED	NAME TITLE	BNC CONNECTOR(1P) C3016011
1.0	L.M.S	B. Emmerich		DRAWING NUMBER	
	2000.05.30	2001.07.13	2000.05.30		