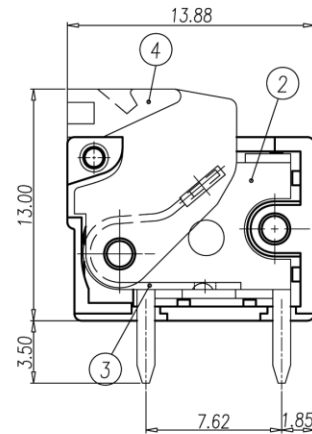
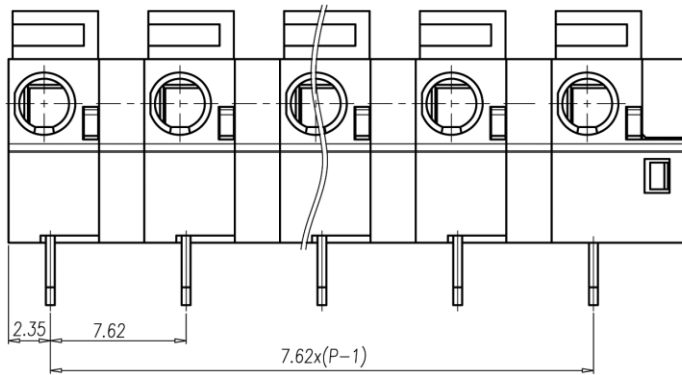
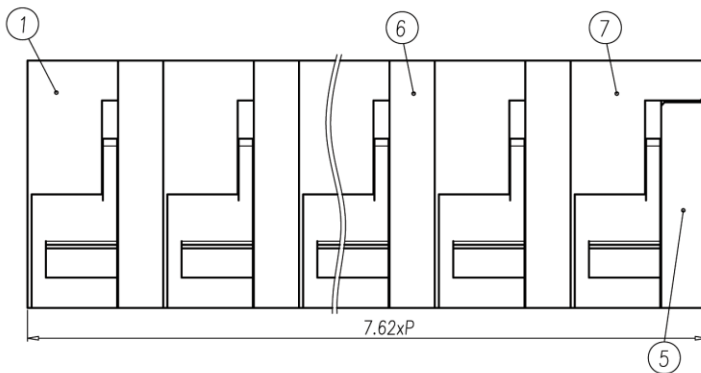
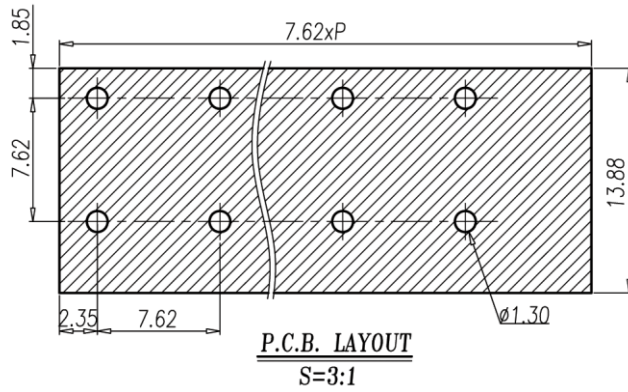


Product Drawing



Page: 1 of: 1	Date: 2011-01-13	Description: P/N	Standard Outline Drawing
	Revision: 1.0		VNS142R-7.62