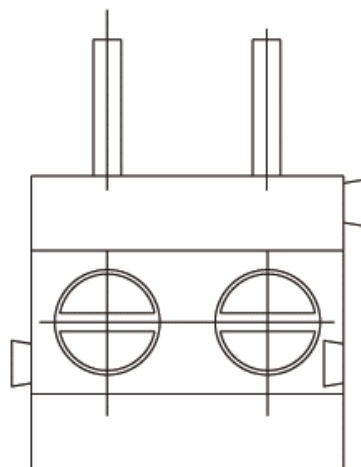
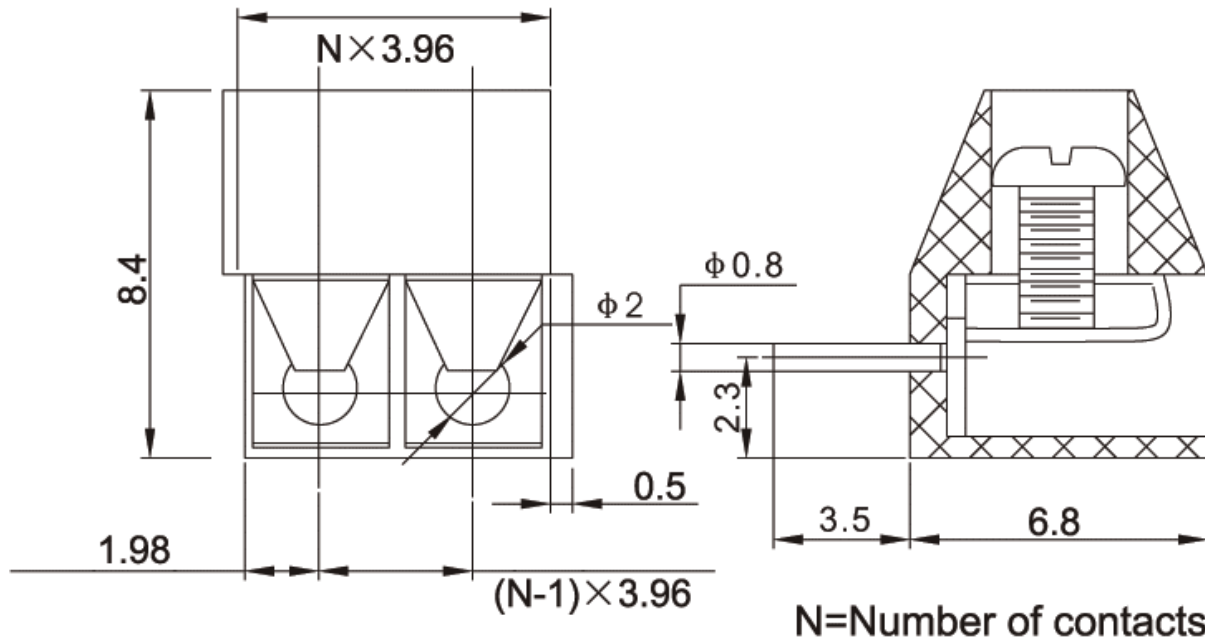
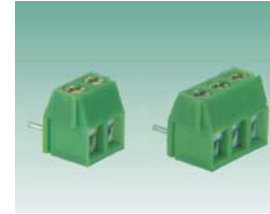
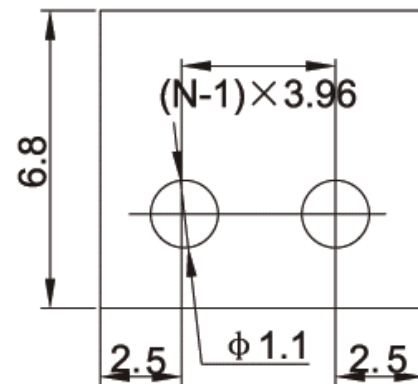


# Product Drawing



## P.C.B. LAYOUT



Page:	1	Date:	2007-03-13	Description:	Standard Outline Drawing
of:	1	Revision:	1.0	P/N	ETBG-350R-0396



800-227-0075

<http://www.vimex.com>

# Product Specification

## Material

Screws : M2 steel Zinc plated  
Wire guard : Phosphor bronze Ni plated or stainless steel  
Pin header : Brass, tin plated  
Housing : PA66, UL94V-0

## Electrical

Rated voltage : 300V  
Rated current : 10A  
Contact resistance : 20mΩ  
Insulation resistance : 5000MΩ / 1000V  
Withstanding voltage : 1500VAC / 1 minute  
Wire range : 24-18AWG 1mm<sup>2</sup>

## Mechanical

Temperature range : -40°C ~ +105°C  
MAX soldering : +250°C for 5 seconds  
Torque : 0.2Nm(1.8lb.in)  
Strip length : 4.5-5mm

				<b>Description:</b>	General specifications for Euro Style PCB Terminal Block.
<b>Page:</b>	1	<b>Date:</b>	2007-03-13	P/N	<b>ETBG-350R-0396</b>
<b>of:</b>	1	<b>Revision:</b>	1.0		



800-227-0075

<http://www.vimex.com>

# Part Number System

ETBG	-	350R	-	0396	-	04P	-	1	-	4
------	---	------	---	------	---	-----	---	---	---	---

Series	-	Model	-	Pitch	-	# Poles	-	Pitch	-	Color
--------	---	-------	---	-------	---	---------	---	-------	---	-------

1	Single
2	Double

1	Gray
2	Blue
3	Black
4	Green

Page:	1	Date:	2007-03-13	Description:	Create part number
of:	1	Revision:	1.0	P/N	ETBG Series