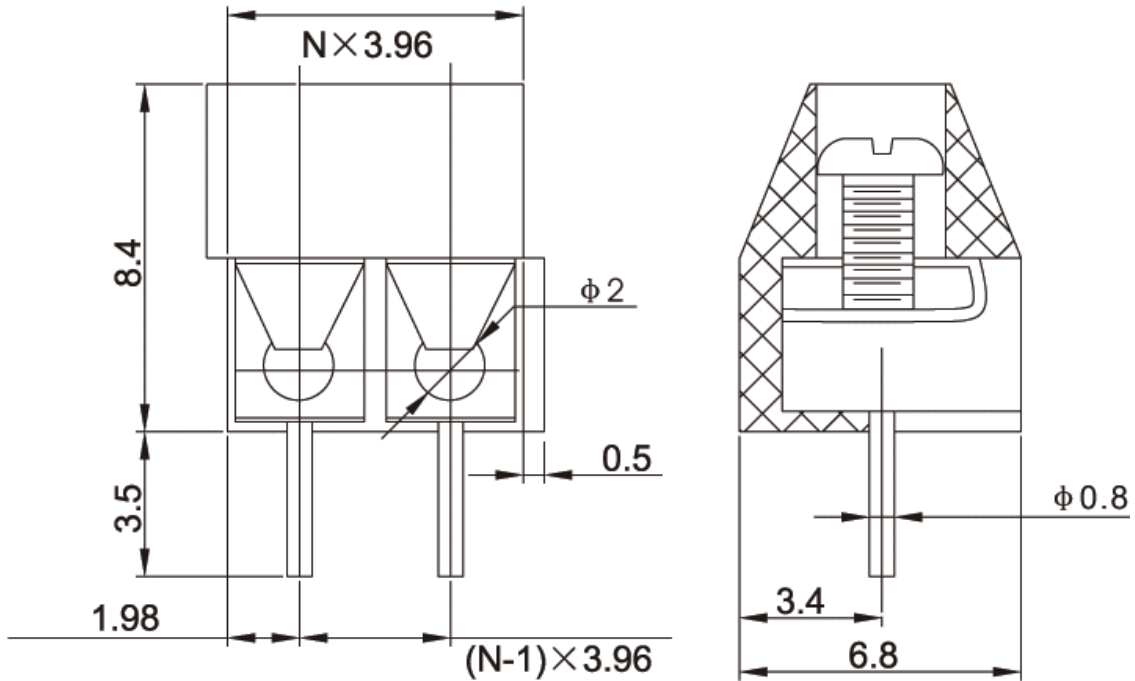
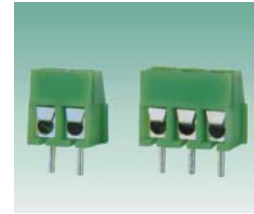
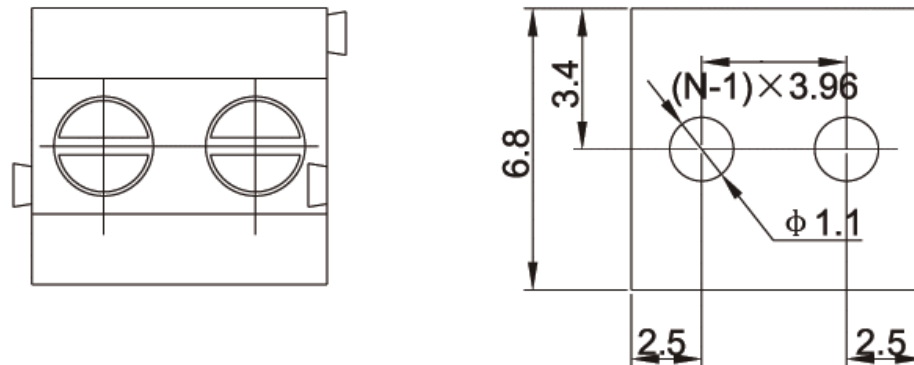


Product Drawing



N=Number of contacts

P.C.B. LAYOUT



Page:	1	Date:	2007-03-13	Description:	Standard Outline Drawing
of:	1	Revision:	1.0	P/N	ETBG-350-0396



800-227-0075

<http://www.vimex.com>

Product Specification

Material

Screws : M2 steel Zinc plated
 Wire guard : Phosphor bronze Ni plated or stainless steel
 Pin header : Brass, tin plated
 Housing : PA66, UL94V-0

Electrical

Rated voltage : 300V
 Rated current : 10A
 Contact resistance : 20mΩ
 Insulation resistance : 5000MΩ / 1000V
 Withstanding voltage : 1500VAC / 1 minute
 Wire range : 24-18AWG 1mm²

Mechanical

Temperature range : -40°C ~ +105°C
 MAX soldering : +250°C for 5 seconds
 Torque : 0.2Nm(1.8lb.in)
 Strip length : 4.5-5mm

				Description:	General specifications for Euro Style PCB Terminal Block.
Page:	1	Date:	2007-03-13	P/N	ETBG-350-0396
of:	1	Revision:	1.0		



800-227-0075

<http://www.vimex.com>

Part Number System

ETBG	-	350	-	0396	-	04P	-	1	-	4
------	---	-----	---	------	---	-----	---	---	---	---

Series	-	Model	-	Pitch	-	# Poles	-	Pitch	-	Color
--------	---	-------	---	-------	---	---------	---	-------	---	-------

1	Single
2	Double

1	Gray
2	Blue
3	Black
4	Green

Page:	1	Date:	2007-03-13	Description:	Create part number
of:	1	Revision:	1.0	P/N	ETBG Series